

# NAUTIZ X4

## MANUAL



**handheld**

**CONTENTS**

- 1. INTRODUCTION ..... 4**
  - Trademarks..... 4
  - About the NAUTIZ X4 Handy Terminal ..... 4
  - Accessories ..... 5
  
- 2. SAFETY REGULATIONS HW..... 6**
  - 2.1. General Safety Rules ..... 6
  - 2.2. Power Supply ..... 6
  - 2.3. Laser Safety..... 7
  - 2.4. LED Safety ..... 8
  - 2.5. FCC RF Exposure ..... 8
  - 2.6. CB Scheme ..... 8
  - 2.7. FCC Part 15 Regulation..... 8
  - 2.8. Canadian Compliance ..... 9
  - 2.9. Radio Compliance ..... 10
  - 2.10. WEEE Compliance ..... 10
  - 2.11. China Compliance ..... 10
  
- 3. GETTING STARTED..... 11**
  - 3.1. Install the Battery ..... 11
  - 3.2. Charge the Batteries ..... 12
  - 3.3. LED Indicators..... 13
  - 3.4. Guidelines for Battery Pack Use and Disposal ..... 13
  - 3.5. Turn Your Device On ..... 15
  - 3.6. Desktop ..... 15
  - 3.7. Indicator Icons ..... 16
  - 3.8. Using the Stylus ..... 17
  - 3.9. Selecting Program ..... 17
  - 3.10. Pop-Up Menus ..... 17
  - 3.11. Using Windows Explorer..... 17
  
- 4. GET TO KNOW YOUR DEVICE ..... 18**
  - 4.1. Feature of Your Device ..... 18
  - 4.2. NAUTIZ X4 Handy Terminal ..... 18
  - 4.3. Front Panel Layout ..... 19
  - 4.4. Display Backlight..... 20
  - 4.5. Keypad Backlight ..... 20
  - 4.6. Using Screen Protectors ..... 21
  - 4.7. Installing Your Screen Protector ..... 21
  - 4.8. Back Panel Layout ..... 25
  - 4.9. Left Side Panel Layout ..... 25
  - 4.10. Installing Memory Cards ..... 25
  - 4.11. Right Side Panel Layout ..... 26
  - 4.12. Top Panel Layout ..... 26
  - 4.13. Bottom Panel Layout..... 27
  - 4.14. Peripherals and Accessories..... 28
  - 4.15. USB ActiveSync Cable ..... 28
  - 4.16. Li-ion Battery Packs..... 28
  - 4.17. Battery Power..... 28
  - 4.18. Main Battery Pack ..... 28
  - 4.19. Managing Main Battery Power ..... 30
  - 4.20. Resetting the Terminal ..... 30
  - 4.21. Suspend Mode ..... 31
  - 4.22. Memory Allocation ..... 32

4.23.	Care and Cleaning of the Products.....	32
4.24.	NAUTIZ X4 Technical Specifications .....	33
<b>5.</b>	<b>USING THE KEYPAD .....</b>	<b>35</b>
5.1.	Numeric Keypad Layout .....	35
5.2.	Navigation Keys .....	35
5.3.	Basic Keys.....	35
5.4.	Alpha/Numeric Modes .....	36
5.5.	Alpha Indicators on the Numeric Keys .....	36
5.6.	Program Buttons .....	37
<b>6.</b>	<b>USING THE IMAGE ENGINE .....</b>	<b>38</b>
6.1.	Overview .....	38
6.2.	Available Image Engines .....	39
6.3.	Depth of Field.....	40
6.4.	Supported Bar Code Symbologies .....	41
6.5.	Activating the Engine .....	41
6.6.	Using Demos .....	42
6.7.	Decoding.....	42
6.8.	To Decode a Bar Code.....	42
6.9.	Sample Bar Codes .....	42
6.10.	Omni-Directional Scanning Positions .....	43
6.11.	Capturing Images (IT5300SR Engine Only) .....	43
<b>7.</b>	<b>USING THE LASER ENGINE.....</b>	<b>44</b>
7.1.	Overview .....	44
7.2.	Available Laser Engines .....	44
7.3.	Depth of Field.....	44
7.4.	Supported Bar Code Symbologies .....	45
7.5.	Activating the Engine .....	45
7.6.	Using Demos .....	45
7.7.	Decoding a Bar Code.....	45
7.8.	Sample Bar Code.....	46
7.9.	Scanning Positions .....	46
<b>8.</b>	<b>USING SCANWEDGE.....</b>	<b>47</b>
8.1.	Overview .....	47
8.2.	Enabling ScanWedge.....	47
<b>9.</b>	<b>USING CONTROL PANEL .....</b>	<b>49</b>
9.1.	System Properties .....	49
9.2.	Power properties.....	50
9.3.	Program Buttons properties .....	51
9.4.	Backlight Properties.....	52
9.5.	Scanner Settings.....	53
<b>10.</b>	<b>COMMUNICATION .....</b>	<b>57</b>
10.1.	Communication Options .....	57
10.2.	Installing Additional Software .....	57
10.3.	Connecting the USB ActiveSync Cable .....	58
10.4.	ActiveSync Communication .....	58
10.5.	Communication Type .....	58
10.6.	Hardware Requirements for Setup .....	58

- 10.7. Software Requirements for Communication ..... 59
- 10.8. Setting Up the Host Workstation ..... 59
- 10.9. Communicating with the Handy Terminal..... 59
- 10.10. Synchronizing with the Host Workstation ..... 59
- 10.11. Exploring the Terminal from the Workstation ..... 59
- 10.12. Adding Programs via ActiveSync ..... 60
- 10.13. Wireless Radios..... 61
- 10.14. Connecting the Terminal to a Wireless Network ..... 61
- 10.15. WLAN (802.11b/g/n Radio) ..... 62
- 10.16. Adding Programs from the Internet..... 62
  
- 11. WLAN CLIENT.....62**
  - 11.1. Enabling the WLAN Radio..... 63
  - 11.2. Establishing a Connection..... 63
  - 11.3. Using the Scan feature ..... 64
  
- 12. BLUETOOTH HANDLER.....65**
  - 12.1. Enabling the Bluetooth Radio..... 65
  - 12.2. Connecting to Other Devices ..... 66
  - 12.3. Pairing Bluetooth Devices ..... 66
  - 12.4. Setting Up a Bluetooth Printer ..... 66
  
- 13. SINGLE SLOT DOCKING CRADLE/SINGLE SLOT ETHERNET CRADLE DEVICE.....66**
  - 13.1. Overview ..... 66
  - 13.2. Battery Charging ..... 67
  - 13.3. Power Supply..... 67
  - 13.4. Front Panel ..... 67
  - 13.5. Back Panel ..... 68
  - 13.6. Powering the Single Slot Docking Cradle or Single Slot Ethernet Cradle Device..... 69
  - 13.7. Charging the Battery ..... 70
  - 13.8. Technical Specifications ..... 70

## 1. INTRODUCTION

Thank you for purchasing NAUTIZ X4 handy terminal.

This manual generally provides you with the safety information and basic features and operations of the NAUTIZ X4 device. Please read all safety precautions and this manual carefully before using your handy terminals and peripherals to ensure safe and proper use.

### Trademarks

The official name of Windows XP is Microsoft Windows XP Operating System.

The official name of Windows Vista is Microsoft Windows Vista Operating System.

The official name of Windows 7 is Microsoft Windows 7 Operating System.

Microsoft, Windows, Windows Embedded Handheld 6.5 Pro, ActiveSync, and the brand names and product names of other Microsoft products are trademarks of Microsoft Corporation in the US and other countries.

Other company and product names given in this manual or displayed in this software may be the trademarks of their respective companies.

### About the NAUTIZ X4 Handy Terminal

The new NAUTIZ X4 is the latest generation handy terminal device, combining a pocket sized rugged form factor built on Microsoft Windows Embedded Handheld 6.5 Pro operating system. The NAUTIZ X4 is designed for retail warehousing and logistics applications where maximum performance and durability is required in compact handheld device.

The NAUTIZ X4 handy terminal is available in different models depending on the options.

model name	-	Scanner option	phone option	Keypad option	-	RFID option	-	Language option
XXX	-	XX	X	X	-	X	-	X
NX4	-	1D-N4313	G-GSM	N-Numeric	-	R-RFID	-	E-English
	-	2D-N5603	C-CDMA	Q-Qwerty	-	0-not install	-	G-German
	-				-		-	F-French
	-				-		-	I-Italian
	-				-		-	S-Spanish

## Accessories

P/N	Description
NX4-1004	Standard battery
NX4-1007	Homebase office docking station (Single Slot Cradle)
NX4-1008	Ethernet base (Single Ethernet Cradle)
NX4-1015	Quad Battery Charger
NX4-1010	Micro-usb cable
NX4-1005	AC adapter
NX4-1023	Handstrap
NX4-1024	Wrist Lanyard
NX4-1011	Stylus and tether

- ❑ **Cradles** (including DC 5V 4A Adaptor)
  - Single Slot Cradle
  - Single Ethernet Cradle
- ❑ **Batteries**
  - 4000mAh Battery Pack, Standard Capacity
- ❑ **Power Supply**
  - AC Adaptor, INPUT: AC100~240V 50/60Hz, OUTPUT: DC5V 1.8A with MicroUSB type
- ❑ **Cables**
  - MicroUSB ActiveSync Cable
- ❑ **Others**
  - Stylus Pen and tether
  - Wrist Lanyard
  - Handstrap

NAUTIZ X4 handy terminal contains the following items basically:

- Handy terminal
- MicroUSB ActiveSync Cable
- 5V/1.8A AC Adaptor with MicroUSB type
- AC Plugs
- Battery Pack
- Stylus Pen and tether
- Wrist Lanyard
- Handstrap
- LCD Screen Protection Film
- Quick Start Guide


**NOTE:** Keep the original packaging for use when sending products to the technical assistance center. Damage caused by improper packaging is not covered under the warranty


**NOTE:** Rechargeable battery packs are not initially charged or discharged. Before you begin to use, you must charge the battery packs first. See Paragraph 3.2.


## 2. SAFETY REGULATIONS

### Symbols in this manual


In this manual, some important items are described with the symbols shown below. Be sure to read these items before using this equipment.

 **WARNING** Indicates a potentially hazardous situation which, if not avoided, could result in death serious injury, or serious damage, or fire in the equipment or surrounding objects.

 **CAUTION** Indicates a potentially hazardous situation which, if not avoided, may result in minor or moderate injury, partial damage to the equipment or surrounding objects, or loss of data.

 **NOTE** Indicates information to which you should pay attention when operating the equipment.

This section outlines the safety precautions associated with using NAUTIZ X4 handy terminal.

 **NOTE:** NAUTIZ X4 handy terminals meet or exceed the requirements of all applicable standards organizations for safe operation. However, as with any electrical equipment, the best way to ensure safe operation is to read this manual carefully before performing any type of connection to the handy terminal and operate them according to the agency guidelines described in the manual.

### 2.1. General Safety Rules

 **CAUTION**

- Use only the components supplied by the manufacturer for the specific NAUTIZ X4 being used.
- Do not attempt to disassemble the NAUTIZ X4 handy terminal, as it does not contain parts that can be repaired by the user. Any tampering will invalidate the warranty.
- When replacing the battery pack or at the end of the operative life of the NAUTIZ X4 handy terminal, disposal must be performed in compliance with the laws in force in your country.
- Before using the devices and the battery packs, read this manual carefully.
- Do not submerge the NAUTIZ X4 handy terminal in liquid products.

### 2.2. Power Supply

The power supply for this device has met applicable KCC/CCC safety requirements. Please adhere to the following safety instructions per UL guidelines:

- FAILURE TO FOLLOW THE INSTRUCTIONS OUTLINED MAY LEAD TO SERIOUS PERSONAL INJURY AND POSSIBLE PROPERTY DAMAGE.
- IMPORTANT SAFETY INSTRUCTIONS – SAVE THESE INSTRUCTIONS.

 **WARNING**

- DANGER – TO REDUCE THE RISK OF FIRE OR ELECTRIC SHOCK, CAREFULLY FOLLOW THESE INSTRUCTIONS.

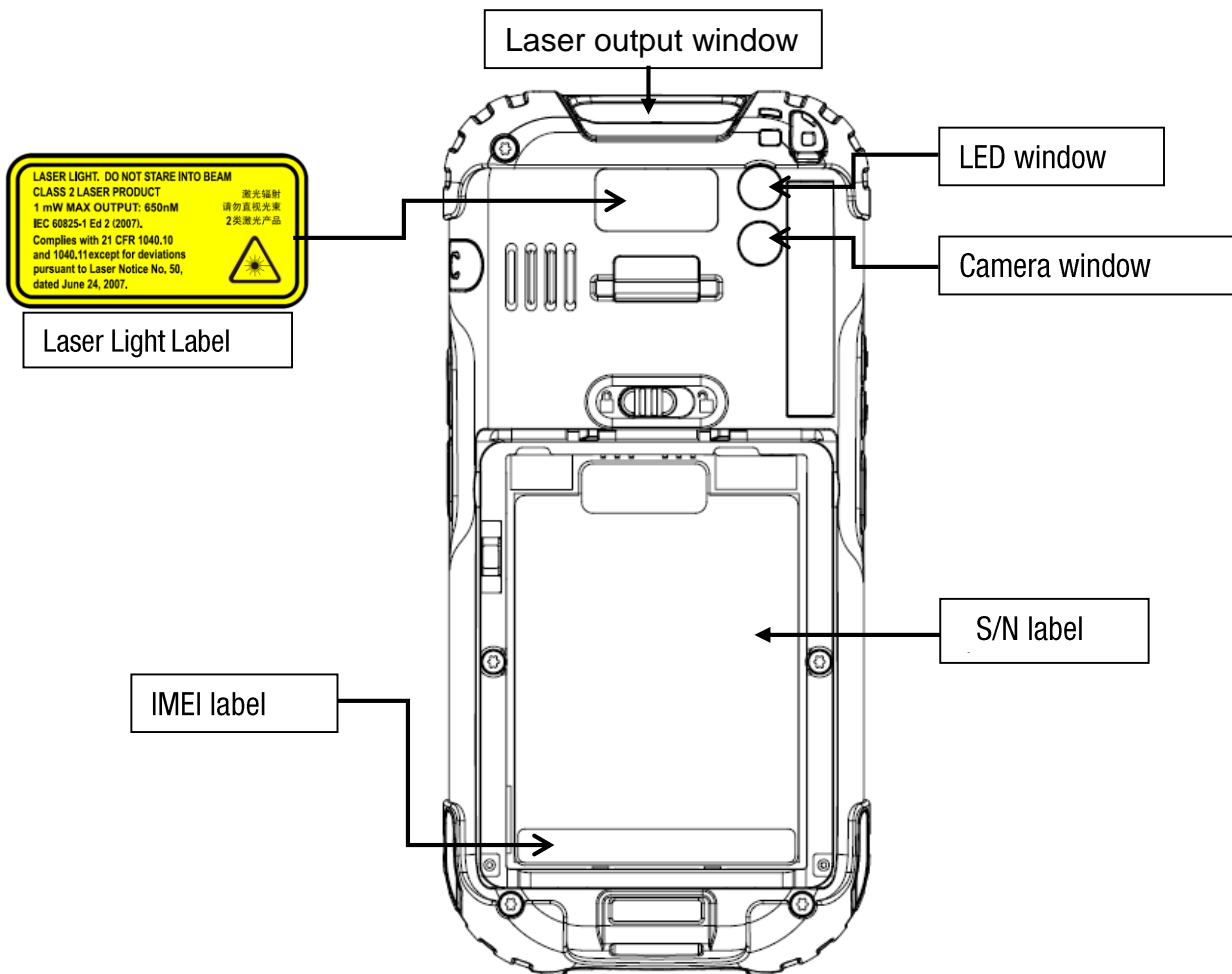
Use only Handheld-approved power supply. Use of a non-Handheld-approved power supply may be dangerous and the warranty does not cover damage to the device caused by non-Handheld-approved power supply. The package includes international AC plugs. The AC plugs must be plugged in the power supply before the power supply itself is plugged on the wall outlet. The power supply is intended to be correctly oriented in a vertical or horizontal or floor mount position.

### 2.3. Laser Safety

**CAUTION**

A Class 2 laser is safe because the blink reflex limit the exposure to no more than 0.25 seconds. It only applies to visible-light lasers (400–700 nm). Class-2 lasers are limited to 1mW continuous wave, or more if the emission time is less than 0.25 seconds or if the light is not spatially coherent. Although staring directly at the laser beam momentarily causes no known biological damage, avoid staring at the beam as one would with any very strong light source, such as the sun. Avoid that the laser beam hits the eye of an observer, even though reflective surfaces such as mirrors, etc.

The laser light is visible to the human eye and is emitted from the window indicated in the figure.



If the above laser light label is attached to your device, it indicates the product contains a laser engine or laser aimer that emits the laser light. The following information is provided to comply with the rules imposed by international authorities and refers to the correct use of NAUTIZ X4 handy terminal.



## Laser Safety Statement

This product has been tested in accordance with and complies with CDRH 21 CFR 1040.10 and 1040.11 and IEC 60825-1 Ed 2 (2007) except for deviations pursuant to Laser Notice No 50, dated June 24, 2007. LASER LIGHT. DO NOT STARE INTO BEAM. CLASS 2 LASER PRODUCTS. 1 mW MAX OUTPUT: 650nm.

For installation, use and maintenance, it is not necessary to open the device.



**WARNING:** Do not attempt to open or otherwise service any components in the optics cavity. Opening or servicing any part of the optics cavity by unauthorized personnel may violate laser safety regulations. The optics system is a factory only repair item.



**WARNING:** Use of controls or adjustments or performance of procedures other than those specified herein may result in exposure to hazardous visible laser light.



**WARNING:** Use of optical systems with the scanner will increase eye hazard. Optical instruments include binoculars, microscopes, eye glasses and magnifying glasses.

## 2.4. LED Safety

The LED output on this device has met IEC62471 LED safety and certified to be under the limits of a CLASS 1 LED product.

## 2.5. FCC RF Exposure

This device complies with FCC RF exposure guidelines set forth for an uncontrolled environment.

## 2.6. CB Scheme

This device complies with CB Scheme IEC 60950-1

## 2.7. FCC Part 15 Regulation

Pursuant to part 15 of the FCC Rules, you are cautioned that changes or modifications not expressly approved by Handheld could void your authority to operate the NAUTIZ X4 handy terminal.

This device complies with part 15 of the FCC Rules. Operation is subject to the following two conditions: (1) This device may not cause harmful interference, and (2) this device must accept any interference received, including interference that may cause undesired operation.

This device has been tested and found to comply with the limits for a Class B digital device, pursuant to Part 15 of the FCC Rules. These limits are designed to provide reasonable protection against harmful interference in a residential installation. This equipment generates uses and can radiate radio frequency energy and, if not installed and used in accordance with the instructions, may cause harmful interference to radio communications. However, there is no guarantee that interference will not occur in a particular installation. If this equipment does cause harmful interference to radio or television reception, which can be determined by turning the equipment off and on, the user is encouraged to try to correct the interference by one or more of the following measures:

- Reorient or relocate the receiving antenna.
- Increase the separation between the equipment and receiver.
- Connect the equipment into an outlet on a circuit different from that to which the receiver is connected.
- Consult the dealer or an experienced radio/TV technician for help.

In accordance with FCC 15.21, changes or modifications not expressly approved by the party responsible for compliance could void the user's authority to operate the equipment.

The antenna(s) must not be co-located or operating in conjunction with any other antenna or transmitter. To maintain compliance with FCC RF exposure guidelines for body-worn operation, do not use accessories that contain metallic components.

### 2.8. Canadian Compliance

This radio transmitter has been approved by Industry Canada to operate with the antenna types listed below with the maximum permissible gain and required antenna impedance for each antenna type indicated. Antenna types not included in this list, having a gain greater than the maximum gain indicated for that type, are strictly prohibited for use with this device.

Under Industry Canada regulations, this radio transmitter may only operate using an antenna of a type and maximum (or lesser) gain approved for the transmitter by Industry Canada. To reduce potential radio interference to other users, the antenna type and its gain should be so chosen that the equivalent isotropically radiated power (e.i.r.p.) is not more than that necessary for successful communication.

This device complies with Industry Canada license-exempt RSS standard(s). Operation is subject to the following two conditions: (1) this device may not cause interference, and (2) this device must accept any interference, including interference that may cause undesired operation of the device.

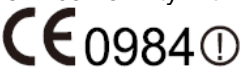
Le présent émetteur radio a été approuvé par Industrie Canada pour fonctionner avec les types d'antenne énumérés ci-dessous et ayant un gain admissible maximal et l'impédance requise pour chaque type d'antenne. Les types d'antenne non inclus dans cette liste, ou dont le gain est supérieur au gain maximal indiqué, sont strictement interdits pour l'exploitation de l'émetteur.

Conformément à la réglementation d'Industrie Canada, le présent émetteur radio peut fonctionner avec une antenne d'un type et d'un gain maximal (ou inférieur) approuvé pour l'émetteur par Industrie Canada. Dans le but de réduire les risques de brouillage radioélectrique à l'intention des autres utilisateurs, il faut choisir le type d'antenne et son gain de sorte que la puissance isotrope rayonnée équivalente (p.i.r.e.) ne dépasse pas l'intensité nécessaire à l'établissement d'une communication satisfaisante.

Le présent appareil est conforme aux CNR d'Industrie Canada applicables aux appareils radio exempts de licence. L'exploitation est autorisée aux deux conditions suivantes : (1) l'appareil ne doit pas produire de brouillage, et (2) l'utilisateur de l'appareil doit accepter tout brouillage radioélectrique subi, même si le brouillage est susceptible d'en compromettre le fonctionnement.


## **2.9. Radio Compliance**

NAUTIZ X4 RF terminals are in conformity with all essential requirements of the R&TTE Directive (1999/5/EC).

This device is marked with  in accordance with the Class II product requirements specified in the R&TTE Directive, 1999/5/EC. The device is intended for use throughout the European Community; PAN European Frequency Range: 2.402 ~ 2.480 GHz.

Restrictions for use in France are as follows:

- Indoor use: maximum power (EIRP\*) of 100 mW for the entire 2.400 ~ 2.4835 GHz
- Outdoor use: Maximum power (EIRP\*) of 100 mW for the 2.400 ~ 2.454 GHz band and maximum power (EIRP\*) of 10 mW for the 2.454 ~ 2.483 GHz band.

 The CE mark on the device indicates that the system has been tested to and confirm with the provisions noted within the 2004/108/EC Electromagnetic Compatibility Directive and the 2006/95/EC Low Voltage Directive, 1999/5/EC (R&TTE), and 2011/65/EU (RoHS).


Handheld shall not be responsible for use of our product with equipment (i.e., power supplies, personal computers, etc.) that is not CE marked and does not comply with the Low Voltage Directive.

## **2.10. WWAN**

In radio systems configured with mobile computers and access points, the frequencies to be used must be allowed by the spectrum authorities of the specific country in which the installation takes place. Be absolutely sure that the system frequencies are correctly set to be compliant with the spectrum requirements of the country. The Radio modules used in this product automatically adapt to the frequencies set by the system and do not require any parameter settings. The TYPE field shows the correspondence between NAUTIZ X4 types and radio modules:

### **HSPA+**

HSPA+, or Evolved High-Speed Packet Access, is a technical standard for wireless, broadband telecommunication. HSPA+ enhances the widely used WCDMA (UMTS) based 3G networks with higher speeds for the end user.

 **NOTE:** The Commercial Mobile Alert System (CMAS), also known as Wireless Emergency Alerts (WEA), is an alerting network in the United States designed to disseminate emergency alerts to mobile devices such as cell phones and pagers. This device does not support this feature.

## **2.11. WEEE Compliance**

**Information for the user in accordance with the European Commission Directive 2012/19/EU of the European Parliament and of the Council of 4 July 2012 on Waste Electrical and Electronic Equipment (WEEE)**

This product has required the extraction and use of natural resources for its production. It may contain hazardous substances that could impact health and the environment, if not properly disposed. In order to avoid the dissemination of those substances in our environment and diminish the pressure on the natural resources, we encourage you to reuse, recycle and recover the product. If the product is disposed according to the Directive, it will avoid potentially negative consequences to the environment and human health which otherwise could be caused by incorrect disposal.



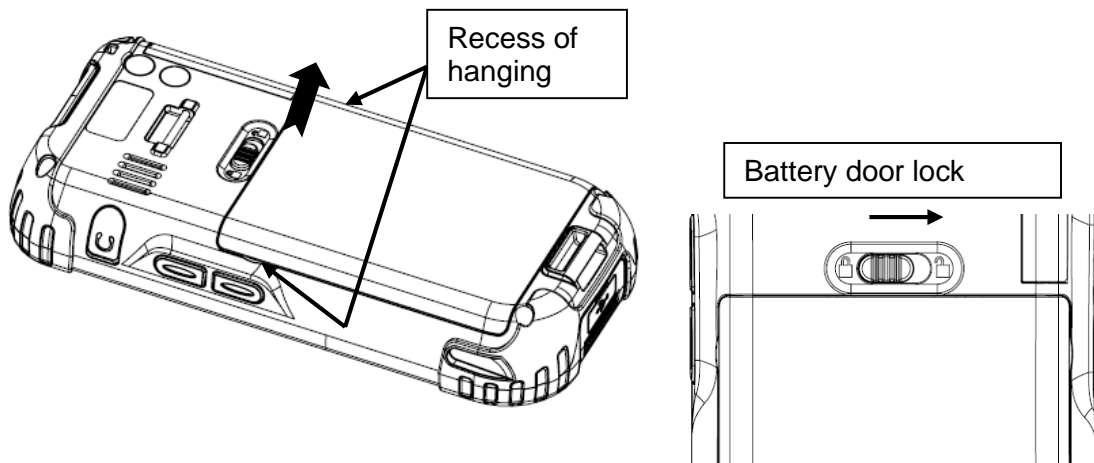
The product marked with crossed out wheeled bin must be disposed separately from municipal waste. For more detailed information about disposal, reuse, and recycle system, contact your local or regional waste administration.

### **3. GETTING STARTED**

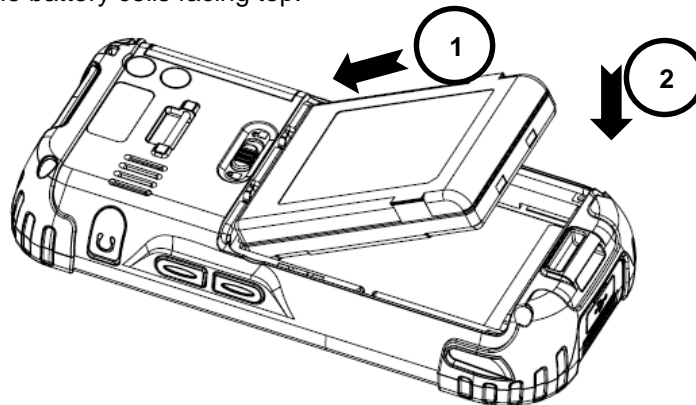
#### **3.1. Install the Battery**

The HANDY TERMINAL is shipped with the battery packaged separate from the unit. Follow the steps below to install the battery.

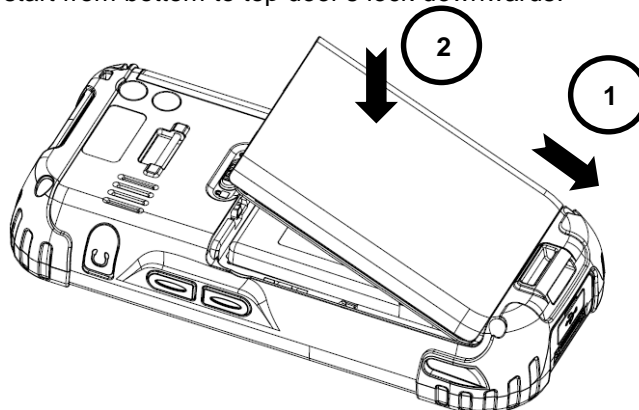
1. Remove the battery compartment door by moving the door's locks right and lifting up the bottom of door.



2. Insert the battery well with the battery cells facing top.



3. Replace the battery door to start from bottom to top door's lock downwards.



**NOTE:** Two points of Battery guide stopper must be pertinently inserted to rear cover battery guide stopper hole

**NOTE:** The battery door must be installed prior to booting the unit.

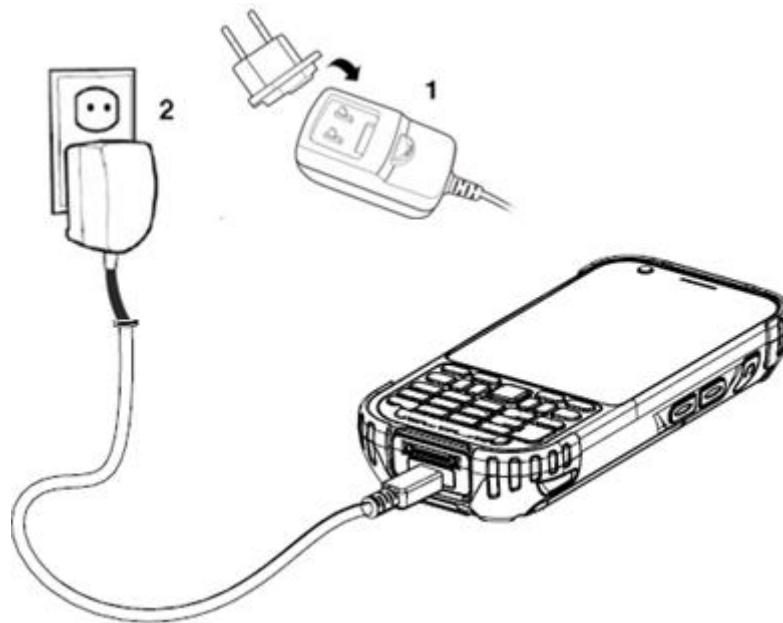


**WARNING:** Use only Handheld-approved Li-Ion battery packs. Unauthorized battery may result in damage not covered by the warranty.

### **3.2. Charge the Batteries**

Handy Terminals ship with only main battery pack significantly charged of power. Charge the main battery pack with the Handy Terminal charging cable for **a minimum of 4 or 6 hours depending on your battery before initial use.**

1. Attach the appropriate plug adapter to the plug of the power cable.
  2. Insert the plug into the appropriate power source.
- Plug the Handy Terminal power cable into the USB Jack on the side end of the unit.



**WARNING:** Use only Handheld-approved peripherals, power cables, and power adapters. Unauthorized peripherals, cables, or power adapters may cause batteries to explode or damage your device.  
**DO NOT** attempt to charge damp/wet handy terminals or batteries. All components must be dry before connecting to an external power source.  
Batteries must be charged at a temperature ranging from **0~45°C (±3°C)**. If you don't follow the guide, it might have a harmful effect on the battery life.



**CAUTION:** After the battery has been charged, disconnect the DC Power Jack from the terminal. If you stay on that plug in use, it is possible to break the power code.

**NOTE:** Rechargeable battery packs are not initially charged. Therefore the first operation to perform is to charge them.

**NOTE:** If you remove the battery pack or it completely discharges, you have 30 minute window of time to insert a charged battery pack before the battery completely discharges.

### 3.3. LED Indicators

The red LED is ON while charging the battery and the green LED is ON when the battery is fully charged.

Alternatively, it is also possible to recharge the battery pack by using the single slot cradle, the single Ethernet cradle or the 4-slot battery charger.

During the charging process the LED positioned at the upper side of the display is red constant. Once the charging process has been completed this LED is green constant.

If the battery pack is removed from the handy terminal, it can be recharged by inserting it into the rear slot of the single slot cradle, the single Ethernet cradle or the 4-slot battery charger.

### 3.4. Guidelines for Battery Pack Use and Disposal

The following are general guidelines for the safe use and disposal of batteries:

- Store the terminal and the spare batteries between 20 to 30 °C (68 to 86 °F) in order to maintain optimal battery performance.
- Standard batteries must be charged at a temperature ranging from 0 to 45°C(±3°C).
- The battery level may not be displayed correctly for some minutes after the disconnection if the handy terminal is disconnected from power supply before the charging cycle is completed.
- The handy terminal could get warm during charging. This is normal and does not mean a malfunction.
- To achieve the best battery life, turn off the radios not in use.
- Rechargeable battery packs is not initially charged. Therefore the initial operation to perform is to charge them. See below.
- By default, the battery pack is disconnected at the factory to avoid damage due to excessive draining. Annual replacement of rechargeable battery pack avoids possible risks or abnormalities and ensures maximum performance.



**WARNING:** DO NOT attempt to charge damp/wet handy terminals or batteries. All components must be dry before connecting to an external power source.



**WARNING:** Never throw a used battery in the trash. It contains heavy metals and should be recycled according to local guidelines.



**WARNING:** Storage of batteries for long time at fully charged status or at fully discharged status should be avoided.

Only in case of long storage, in order to avoid deep discharge of the battery, it's recommended to partially recharge the battery every two-three months to keep the charge status at a medium level.



**WARNING:** Installing, charging and/or any other action should be done by authorized personnel and following this manual.

The battery pack may get hot, explode, ignite, and/or cause serious injury if exposed to abusive conditions.

If the battery pack is replaced with an improper type, there is risk of explosion.

Do not place the battery pack in or near a fire or heat; do not place the battery pack in direct sunlight, or use or store the battery pack inside unventilated areas in hot weather; do not place the battery pack in microwave ovens, dryer, high pressure containers, on induction cookware or similar device. Doing so may cause the battery pack to generate heat, explode or ignite. Using the battery pack in this manner may also result in a loss of performance and a shortened life expectancy.

Use only a Handheld approved power supply. The use of an alternative power supply will void the product warranty, may cause product damage and may cause heat, explode or ignite.

The area in which the units are charged should be clear of debris and combustible materials or chemicals.

*Do not use the battery pack in any other manner outside its intended use in Handy Terminal and peripherals.*

### **WARNING**

*Do not short-circuit the battery pack contacts connecting the positive terminal and negative terminal. This might happen, for example, when you carry a spare battery pack in your pocket or purse; accidental short-circuiting can occur when a metallic object such as a coin, clip, or pen causes direct connection of the contacts of the battery pack (these look like metal strips on the battery pack). Short-circuiting the terminals may damage the battery pack or the connecting object.*

*Do not apply voltages to the battery pack contacts.*

*Do not pierce the battery pack with nails, strike it with a hammer, step on it or otherwise subject it to strong impacts or shocks.*

*Do not disassemble or modify (i.e. bend, crush or deform) the battery pack. The battery pack contains safety and protection devices, which, if damaged, may cause the battery pack to generate heat, explode or ignite.*

*In case of leakage of liquid from the battery, avoid contact with liquid the skin or eyes. If the contact occurs, immediately wash the affected area with water and consult a doctor.*

*Do not solder directly onto the battery pack.*

*Do not expose the battery pack to liquids.*

*Avoid any knocks or excessive vibrations. If the device or the battery is dropped, especially on a hard surface, you should take it to the nearest Authorised Repair Centre for inspection before continuing to use it.*

*Do not replace the battery pack when the device is turned on.*

*Do not remove or damage the battery pack's label.*

*Do not use the battery pack if it is damaged in any part.*

*Battery pack usage by children should be supervised.*

*Collect and recycle waste batteries separately from the device in comply with European Directive 2006/66/EC, 2011/65/EU, 2012/19/EU and subsequent modifications, US and China regulatory and others laws and regulations about environment.*

**NOTE:** *In order to guarantee an adequate operating autonomy, when replacing the battery pack the handy terminal checks the battery energy level. If the battery is not sufficiently charged, handy terminal does not turn on.*

*In this case, either substitute the battery pack with a charged one (sufficiently charged) or insert handy terminal into a powered cradle or plug it into the direct power supply.*

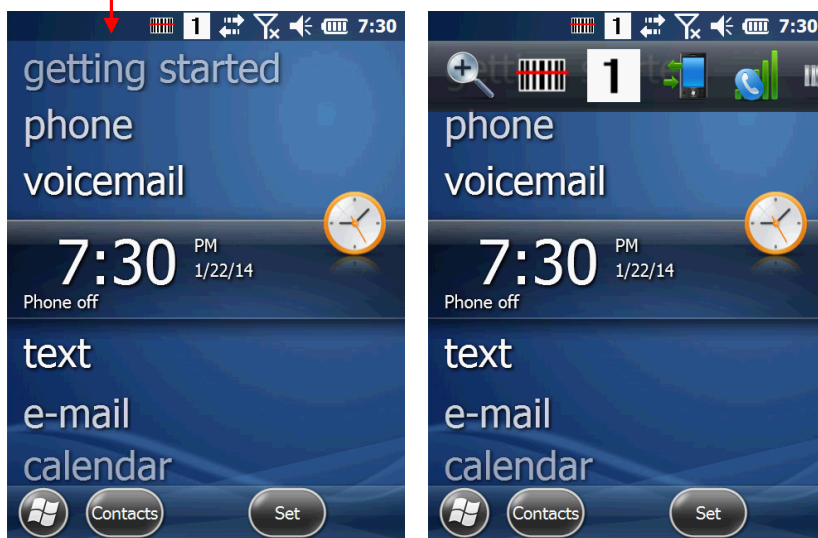
### **3.5. Turn Your Device On**

If you apply the power to your device, it turns on by itself. Do NOT press any keys or interrupt while turning on process. When the process is complete, the Desktop appears, and the terminal is ready for use.

### **3.6. Desktop**

**NOTE:** You can access the Desktop any time by tapping the Change Views icon in the command bar and selecting Desktop on the popup menu

Tap the touch screen once to zoom in the upper menu





### 3.7. Indicator Icons

The command bar, located at the upper of application screens, provides access to many system functions and programs.



Icons	Meaning
	Open the start menu
	Access the Wireless Manager
	Open the Scanner option menu
	Indicates the Keypad value
	Shows phone signal mode
	Shows the volume
	Indicates the Battery Control Panel (CPL)
	Indicates Clock & Alarm CPL
	zoom in/ out
	Access the Bluetooth radio

Left and right arrows are used to scroll through additional icons



Icon	Meaning
	Indicates AC connection mode
	Indicates WAN (Phone) connection mode
	Indicates Sound connection mode
	Indicates LAN / Bluetooth mode
	Indicates Keypad mode

### 3.8. Using the Stylus

The terminal comes with a stylus included in a loop on the Lanyard. Use this stylus (or your finger) to select or enter information on the touch screen. The stylus functions as a mouse; generally, a tap is the same as a click.

**Tap** Tap the touch screen once to open menu items and select options.

**Drag** Hold the stylus on the screen and drag across the screen to select text and images.

**Tap & hold** Tap and hold the stylus on an item and a pop-up menu appears. On the pop-up menu, tap the action of the task you want to perform.



**WARNING:** Use of objects, such as paper clips, pencils, or ink pens on the touch screen can damage the input panel and may cause damage not covered by the warranty.

### 3.9. Selecting Program

Tap **Start -> Programs**. To open a program, tap the icon on the menu.

### 3.10. Pop-Up Menus

You can quickly choose an action for an item using the pop-up menus.

1. Tap and hold the stylus on the item name. The pop-up menu appears.
2. Lift the stylus and tap the action you want to perform.

The contents of pop-up menus change according to the program you are using.

### 3.11. Using Windows Explorer

Use Windows Explorer to navigate through the files on your system. **Start menu -> File explorer**

Move files by tapping and holding on the file, and then tapping **Cut**, **Copy** or **Paste** on the pop-up menus that appear.

## **4. GET TO KNOW YOUR DEVICE**

### **4.1. Feature of Your Device**

The following list outlines a few of the feature included in your device.

### **4.2. NAUTIZ X4 Handy Terminal**

- Operating Systems: Microsoft Windows Embedded Handheld 6.5 Pro
- Micro Processor: Cortex-A8 1GHz
- RAM Memory: 512MB
- FLASH Memory: 1GB
- 3.5" VGA Display: 480x640 Transmissive TFT
- Resistive Industrial Grade Touch Screen
- Keyboards: Numeric, Qwerty
- Micro SDHC Expansion Memory Card Interface: Support up to 32 GB
- Power Supply : MicroUSB power adaptor
- Interfaces : Micro-USB connector : USB 2.0 High Speed
- HandyLink connector: USB 2.0 High speed Client, Host (USB Host for Ethernet Cradle), Charging
- Scan Engine:
  - 1D engine: N4313
  - 2D engine: N560X
  
- Battery: Li-ion battery, 3.7V/4000mAh/14.8Wh
- IP65 certified enclosures
- Audio: Integral Microphone, Earpiece, Loud, Speaker, 3.5pi 4pole Jack for Ear-Mic headset
- BT: Bluetooth Radio 2.1+EDR with Internal Antenna
- WLAN: 802.11 b/g/n Radio with Internal Antenna
- Notification LEDs
  - 1) Power indications, 2) Scan reading indications & OS notifications
- Notification Vibration Motor
- Camera : 5M pixel CMOS camera with AutoFocus and LED flash
- Sensors : Light/Proximity sensor and Acceleration sensor
  
- P/N : NX4-1DGN-0-E/ NX4-2DGQ-R-E/ NX4-2DGQ-0-E/ NX4-2DGN-R-E/ NX4-2DGN-0-E
  - GSM/GPRS/EDGE : Quad band, 850/900/1800/1900MHz
  - UMTS/HSPA+: Five band, 800/850/900/1900/2100MHz
  
- P/N : NX4-1DCN-0-E
  - CDMA : Dual Band, US 800/1900MHz
  - GPS: Standalone and Assisted GPS

### 4.3. Front Panel Layout



#### LED Indicator

Shows the information needed to operate your device as follows:

*Note: The LED is user-programmable.*

LED Color	Meaning
<b>Red</b>	Lights when main battery is charging. Blinks, when the battery is very low (<10%), Lights when the battery is low (<20%), Blinks as Red/ Green by turns when it is no battery or not recognized
<b>Green</b>	Lights when the PDA resets Lights when main battery charging has completed. Blinks as Red / Green by turns when it is no battery or not recognized
<b>Blue</b>	Lights when a scan Pass Lights when PDA wakes up
<b>Red</b>	Lights when a scan fails Lights when PDA suspends

## Keypad

33 numeric keypad (includes side scan and volume, power button).  
55 qwerty keypad (includes side scan and volume, power button).

## Microphone

The integrated microphone can be used for audio recording and phone call.

## Touch Screen Display

The display is a LCD (Liquid Crystal Display) with a Capacity touch screen. The 3.5" VGA (Video Graphic Array) is transmissive active matrix color and backlit. The resolution is 480 x 640; see Display Backlight on paragraph 4.4.

For touch screen input, use the stylus included with the terminal or your finger. The method you choose depends on which one is most appropriate for your application. While there is a great deal of variation in different applications, you generally achieve greater accuracy with the stylus for buttons or icons that are close together.



**WARNING:** Use of objects, such as paper clips, pencils, or ink pens on the touch screen can damage the input panel and may cause damage not covered by the warranty.

## 4.4. Display Backlight

The intensity of the backlight of the touch screen display may be changed, and the backlight may be programmed to turn off after the terminal has been idle for a specified period of time.

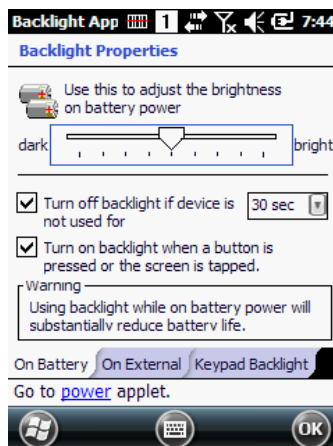
To adjust the intensity of the backlight while on battery power, tap **Start -> Settings -> System -> Backlight**.

### Screen Backlight - Battery/External Power

Move the slider to adjust the screen backlight while on battery power.

You may turn the screen backlight off if the device is not used for a designated period of time by checking the option and designating the desired time period.

You may also turn on the screen backlight when a button is pressed or the screen is tapped by selecting the appropriate checkbox.



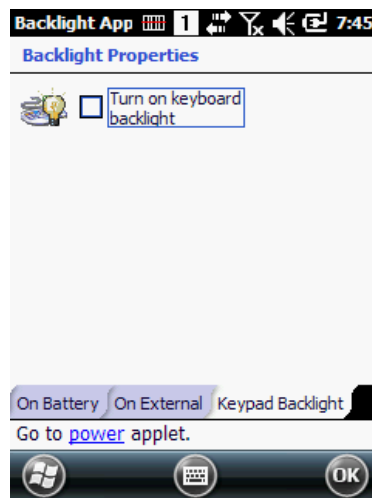
**NOTE:** Using the backlight option while on battery power substantially reduces battery life.

You may make the same changes when on external power by tapping the **External** tab.

### 4.5. Keypad Backlight

To turn on the keypad backlight, check the checkbox.

The duration of backlight of keypad synchronizes with LCD backlight's.



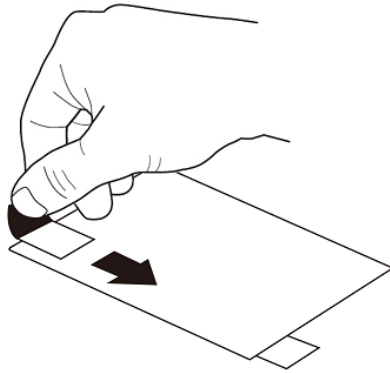
### 4.6. Using Screen Protectors

Handheld defines proper use of the terminal touch panel display as using a screen protector and proper stylus. Screen protectors maintain the ongoing integrity (i.e., prevent scratching) of the touch panel, which is why their use is recommended for applications that require a high to medium level of interface with the touch panel. Handheld also mandates use of the proper stylus, which is one that has a stylus tip radius of no less than 0.8mm. Use of the stylus included with the terminal is recommended at all times.

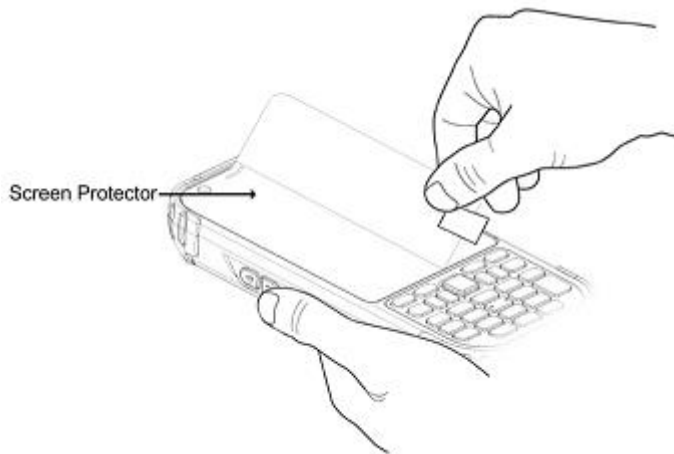
### 4.7. Installing Your Screen Protector

When installing a screen protector, use a flat plastic card (e.g., credit card) to apply the screen protector smoothly and remove any air bubbles.

1. Press the Power key to put the terminal in suspend mode.
2. Clean the touch panel thoroughly with a clean, non-abrasive, lint-free cloth, Make sure nothing is on the touch panel.
3. Blue tag with backing film: Peel off this mask before application.



4. Align the exposed edge of the screen protector along the left edge of the touch panel. Make sure that it lies flush with edges of the touch panel.

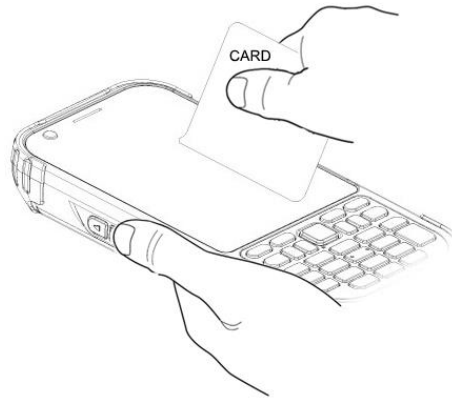


**NOTE:** To reposition the screen protector, lift up gently and reapply.

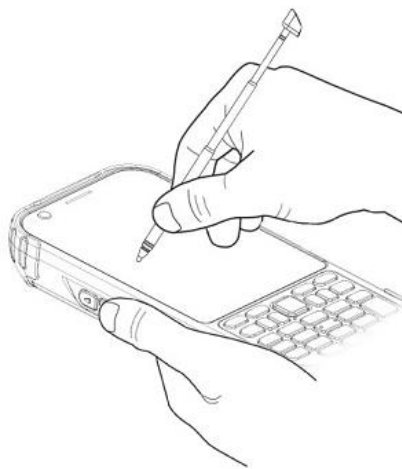
5. Yellow tag with cover film:  
"Please peel off this mask after application completed."



6. Press gently but firmly. Use the card a necessary to smooth out any air pockets or bumps after allocation



7. Press the Power key to wake the terminal and check the touch panel with the stylus.

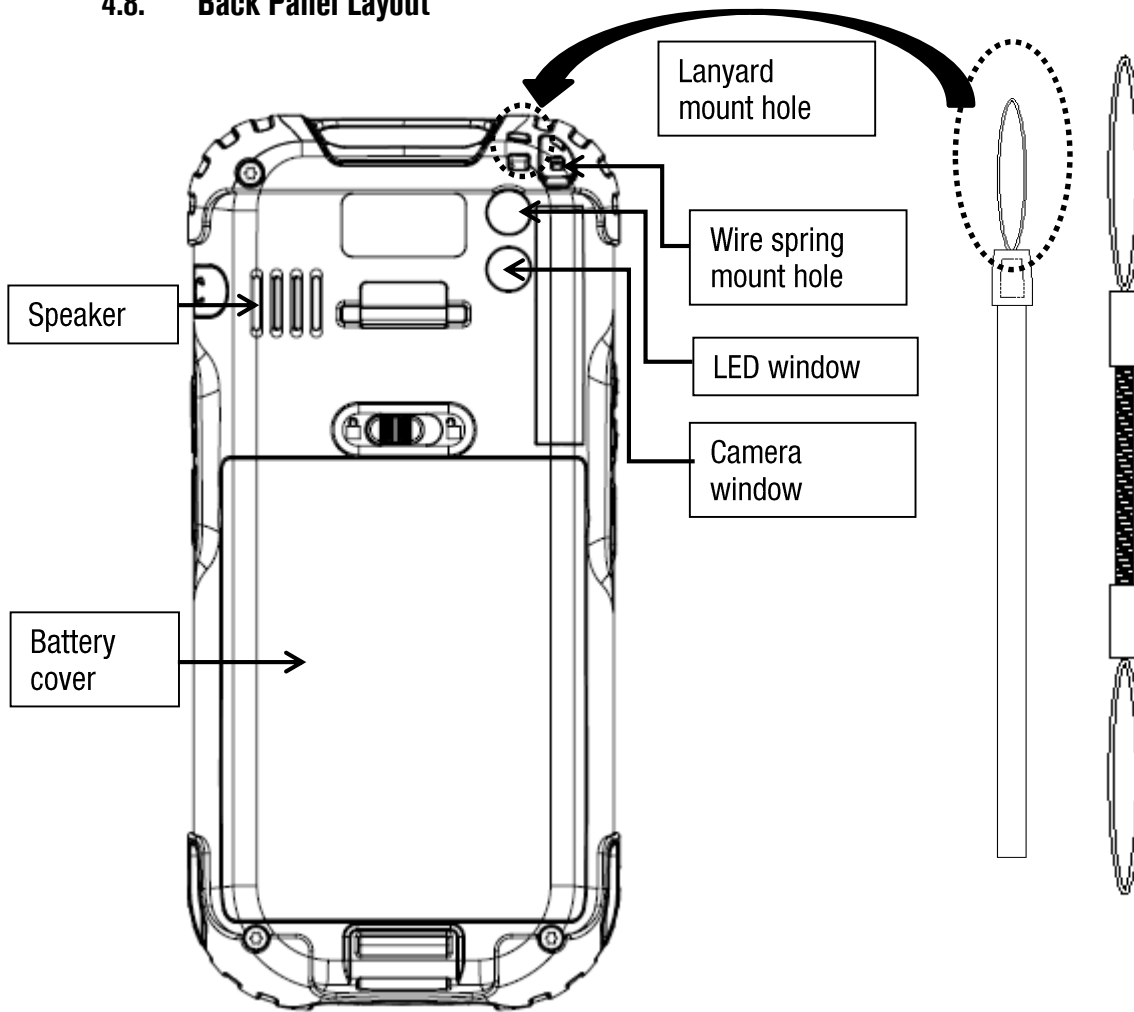


8. Verify that the screen accepts input from the stylus as usual. If not, re-apply the screen protector.
9. Press the Power key to put the terminal back in suspend mode.
10. Clean the surface of the screen protector with a clean, non-abrasive, lint-free cloth.
11. Press the Power key to wake the terminal again.
12. For maximum performance, recalibrate the screen Tap **Start > Settings > System > Screen**
13. Tap Recalibrate the follow the instructions on the screen.





### 4.8. Back Panel Layout



#### Wrist Lanyard

The HANDY TERMINAL comes with Wrist Lanyard. You can attach it to the device.

#### Hand strap

The HANDY TERMINAL comes with Hand strap. You can attach it to the device.

#### Finger Saddle

This is a slightly depressed and angled area of the back housing that is designed to cradle or “saddle” your finger while holding the terminal. This unique ergonomic design makes the terminal comfortable to hold and helps prevent you from accidentally dropping the terminal.

#### Installed Battery

For information about installing the battery, see Install the Battery on paragraph 3.1.  
For information about battery power, see Battery Power on paragraph 4.17.

### Speaker

The integrated speaker sounds audio signals as you scan bar code labels and enter data, but emits no ambient noise on system activity (i.e., processor, memory access, radio traffic, etc.). The speaker can also be used for playing sounds (e.g., WAV or MP3 files).

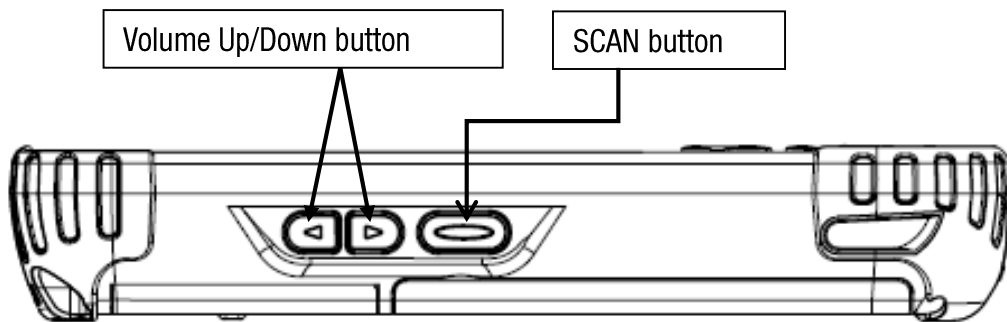
The speaker meets the following SPL levels at 10cm:

- 500Hz–80dB
- 1kHz–90dB
- 4kHz–90dB

### Stylus and tether

HANDY TERMINAL is shipped with a stylus inserted in a loop on the tether. Store the stylus in the Lanyard when you're not using it; see Using the Stylus on paragraph 3.8.

#### 4.9. Left Side Panel Layout



### Side Button

You can set the volume using the Volume Button and scan using the Scan button.

#### 4.10. Installing Memory Cards

The HANDY TERMINAL supports Micro Secure Digital (SD) memory cards up to 32GB. **Sandisk, Kingstone and ATP micro SD recommended**

To access the Micro SD card slot and insert the card, proceed as follows:

1. Press the **Power** key to put the terminal in Suspend Mode; see Suspend Mode on paragraph 4.23.
2. Remove the battery door on the back of the unit.
3. Remove the battery and open
4. Insert the SD card with the label facing upward.

**NOTE:** To remove an installed SD card, tap on the edge lightly to unlock the card; the card will pop out just enough for you to grab its edge and pull it out.

5. Tap the **Power** key to resume operation.
6. To verify that the operating system recognizes the new memory card, open Windows Explorer and navigate to My Device\Storage Card.



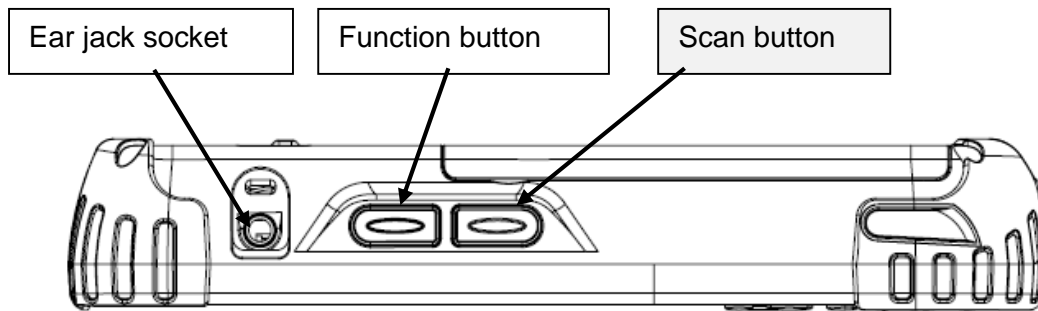
**WARNING:** Follow proper ESD precautions to avoid damaging the SD. Proper ESD precautions include, but are not limited to, working on an ESD mat and ensuring that the operator is properly grounded.

Do not force the card. If you feel resistance, remove the card, check the orientation, and reinsert it.

Do not use the Micro SD card slot for any other accessories.

It is highly recommended to lock the card holder even if the card is not present.

#### 4.11. Right Side Panel Layout



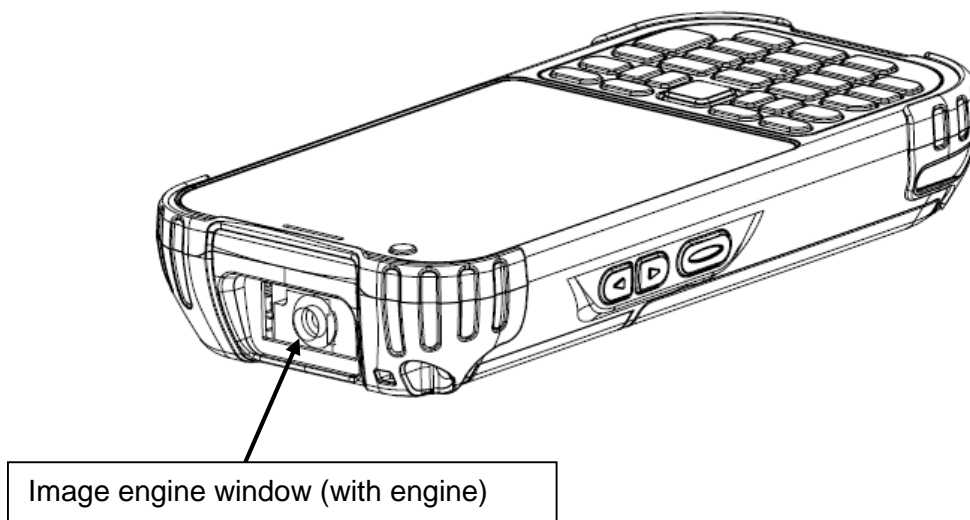
#### Side Button

You can use the Programs Buttons option in the Control Panel to change the functionality of the side buttons. Scan function is assigned by default (Scan button).

#### EarJack

3.5pi 4pole Jack. This connector supports Ear-Mic headset

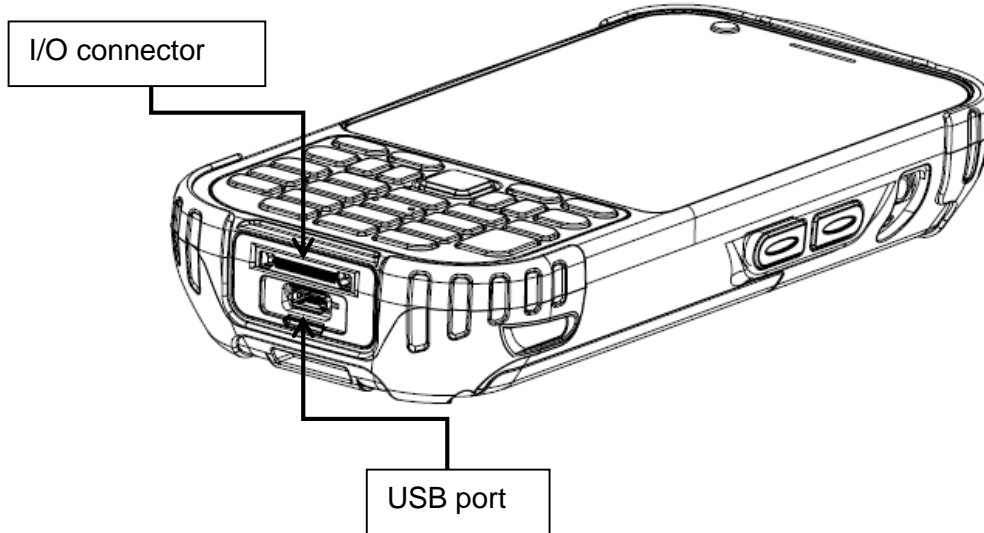
#### 4.12. Top Panel Layout



#### Image Engine Window

The angled image engine reads and decodes most popular bar code symbolizes. For more information, see Using the Image Engine on paragraph 6.

**4.13. Bottom Panel Layout**



**HandyLink Connector**

The HandyLink mechanical connector is designed to work exclusively with HANDY TERMINAL peripherals and cables. This connector powers the terminal, charges the main battery, and facilitates communication. This connector supports High speed USB 2.0 communication (up to 480 Mbps)

Through this connector, you can communicate with a host workstation via Microsoft ActiveSync; see ActiveSync Communication on paragraph 10.4

The I/O connector supports the following signals:

Pin Description	Direction
DC IN +5V	IN
DC IN +5V	IN
NC	
GND	
USB Host +5V Enable	OUT
USB Host D+	IN/OUT
USB Host D-	IN/OUT
USB Host Detect	IN
GND	
NC	
GND	
GND	
CRADLE Detect	IN
USB Client D+	IN/OUT

USB Client D-	IN/OUT
USB Client +5V	IN

**NOTE:** Signals referenced are for a DTE device.

### USB Port

This connector supports High speed USB 2.0 communication (up to 480 Mbps)  
Also external power from the MicroUSB Adaptor that is included with the terminal. When connected to the Handy Terminal MicroUSB Adaptor, the terminal is powered and the main battery pack is charging.

## 4.14. Peripherals and Accessories

The following items are sold separately and enhance your HANDY TERMINAL's capabilities.

### Single Slot Cradle

This charging and communication cradle supports USB, enabling your terminal to interface with the majority of enterprise systems. When a terminal is seated in a powered base, its battery pack charges in five hours for the standard capacity 4000mAh pack.

For more information, see Single Slot cradle/Single Ethernet cradle Device on paragraph 12.

### Single Ethernet Cradle

The Single Ethernet cradle is used to charge the battery, to power the battery charging system in the terminal, and can be used to communicate data from the terminal to a PC/laptop via the Ethernet port.

For more information, see Single Slot cradle/Single Ethernet cradle Device on paragraph 12.

## 4.15. USB ActiveSync Cable

The MicroUSB ActiveSync Cable is used when communicating between the terminal and a host computer to transfer data via the USB interface.

## 4.16. Li-ion Battery Packs

The Li-ion battery pack provides the main power supply for the terminal.

## 4.17. Battery Power

The intelligent battery technology inside the terminal features of battery power:

- The battery pack

The battery works to prevent data loss when the terminal is used over long periods of time.

**The battery must be charged to full capacity before using the HANDY TERMINAL for the first time!**  
Charge the main battery pack with the Handy Terminal charging cable for **a minimum of 5 hours depending on your battery before initial use.**

## **4.18. Main Battery Pack**

There are two Li-ion battery packs available for the HANDY TERMINAL:

**Standard Capacity:** Li-ion 3.7V/4000mAh/14.8Wh

The Li-ion battery pack is the primary power source for the Handy Terminal as well as for the internal backup battery.

### **Standby time**

- Standby time (all RF off, display off): 40hrs.
- Standby time (all RF on, connected but no data transferred, display off) : 26hrs.
- Standby time (all RF on, connected but no data transferred, display On @80% backlight) : 15hrs.

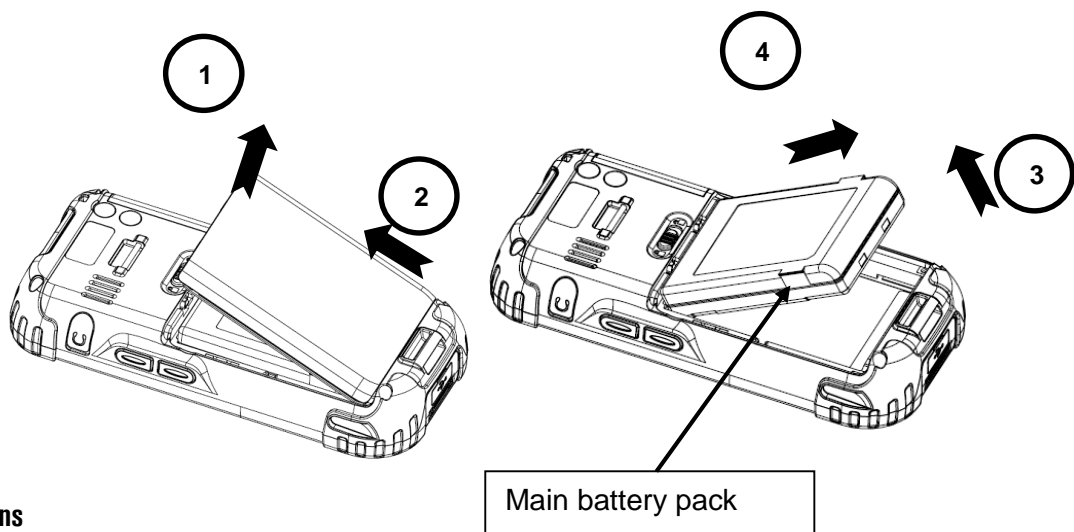
### **Battery charging cycles**

- 100cyc. Capacity  $\geq$  90% of the rated discharge capacity.
- 300cyc. Capacity  $\geq$  80% of the rated discharge capacity

### **Changing the Main Battery Pack**

Before installing a battery pack, press the Power key to put the terminal in Suspend Mode so that operations are suspended before removing the main power source. Always put the terminal in Suspend Mode prior to changing the battery. The HANDY TERMINAL is shipped with the battery separate from the unit. You will need to loosen the Lanyard, remove the battery door, insert the battery, and replace the battery door.

**NOTE:** The battery door must be installed prior to booting the unit.



### **Charging Options**

When the battery is installed in the terminal, you can use any of the peripherals listed below to charge the battery.

- AC Power Supply to USB Port direct.
- Single slot docking cradle/Single slot Ethernet cradle
- Insert the battery in the spare battery charging well in the back of either the Handy Terminal slot cradle or Handy Terminal Ethernet cradle.

### **Charging Time**

The standard capacity 4000mAh Li-ion battery pack requires five hours to charge to full capacity.

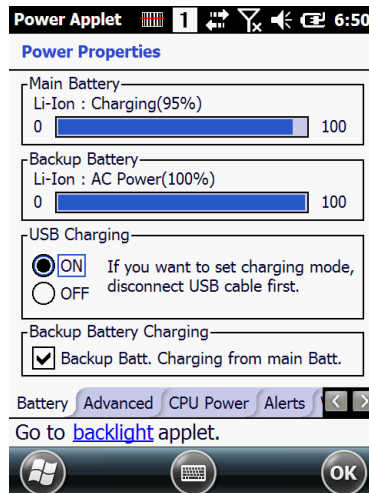
## 4.19. Managing Main Battery Power

Data and files saved on the Handy Terminal may be stored in RAM memory; therefore, maintain a continuous power supply to the terminal to help prevent data loss. When you remove a battery pack, insert another charged battery pack in the Handy Terminal. If the main battery pack is low, insert the terminal into a charging peripheral to power the terminal and begin recharging the battery.

**NOTE:** If the main battery is low and the terminal is in Suspend Mode, pressing the **Power** button does **not** wake the **HANDY TERMINAL**; you must replace the discharged battery with a fully charged battery or apply AC power to the terminal.

### Checking Battery Power

Tap the battery icon to open the Power Properties. The Battery tab opens displaying the charge status of the main battery



**NOTE:** You can also check battery power by tapping **Start -> Settings -> System -> Power**.

## 4.20. Resetting the Terminal

There are three types of system resets: a Soft Reset, a Hard Reset, or a Factory Reset. The soft and hard resets preserve all data stored in the file system.

### Soft Reset (Warm Boot)

A soft reset re-boots the terminal without losing RAM data, terminates all running applications, reloads the OS, and launches Autoinstall, which re-initializes any CAB or REG files in **\AutoInstall\Cabfile** folder.

You would perform a soft reset 1) when the terminal fails to respond, 2) after installing software applications that require a reboot, or 3) after making changes to certain system settings, or 4) to install new CAB or REG

files.

To perform a Soft Reset:

1. Press the Power button for 3 seconds and choose the Soft Reset on the power menu.
2. When the reset is complete, the Desktop appears.

### Hard Reset (Cold Boot)



**CAUTION:** A hard reset erases all of the data and applications stored in RAM memory, reloads the OS, and launches Autoinstall, which installs any CAB or REG files in the **\AutoInstall\Cabfile**.

Hard resets automatically launch a soft reset as part of the boot process if there are CAB files present.

To Perform a Hard Reset:

1. Press the Power button for 3 seconds and choose the Hard Reset on the power menu.
2. When the reset is complete, the Desktop appears.

To perform a Hard Reset if the terminal has stopped responding, press and hold the Power button for 8 seconds until the terminal starts to re-boot.

### Factory Reset



**CAUTION:** To prevent data loss, back up all user data to an SD card or external memory device before performing an upgrade or factory reset.

To Perform a Factory Reset:

1. Perform a Hard Reset
2. The terminal will reboot automatically and you will see first booting screen
3. Press "1277" when version information is displayed and then you will enter bootloader menu.
4. Press "12" to perform a factory reset.
5. When the clean boot is completed, do a touch calibration.

## 4.21. Suspend Mode

Suspend Mode suspends terminal operation. The terminal appears to be "off" when in Suspend Mode. The terminal is programmed to go into Suspend Mode automatically when inactive for a specified period of time. You can set this time period in the Power setting.

To suspend and resume operation, press the **Power** button. You may also press the front Scan key to wake a suspended device unless the battery door has been removed and replaced.

**NOTE:** You should always put the terminal in Suspend Mode when you change the battery pack; see *Changing the Battery Pack* on paragraph 4.18.

### Troubleshooting Suspend/Resume

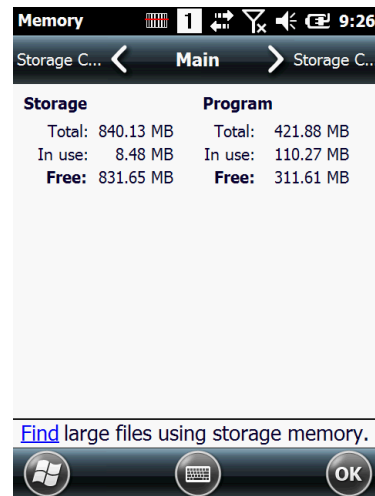


If the terminal does not wake when you press the Power button, the main battery might be too low to resume operation. To check, remove the battery and install a fully charged battery or connect the terminal to a Handy Terminal charging peripheral.

### 4.22. Memory Allocation

You can verify file storage and program memory in System Properties.

1. Tap **Start** -> **Settings** -> **System** -> **Memory** tab.



### 4.23. Care and Cleaning of the Products

When needed, clean the image engine window and the LCD display with a clean, non-abrasive, lint-free cloth. The terminal can be cleaned with a damp cloth.

**4.24. NAUTIZ X4 Technical Specifications**

<b>Model</b>	NAUTIZ X4
<b>Operating System</b>	Microsoft Windows Embedded Handheld 6.5 Pro
<b>Application Software</b>	Tools and Demos
<b>Processor</b>	Cortex-A8 1GHz
<b>Memory</b>	512MB RAM X 1GB Flash
<b>Storage Expansion</b>	User accessible Micro SD memory card slot.
<b>Display</b>	3.5 in. transmissive active matrix 65K color LCD with backlight, VGA (480 x 640)
<b>Scan Engine</b>	1D engine: N4313 2D engine : N560x
<b>Keypad</b>	Numeric , Qwerty
<b>Audio</b>	Built-in microphone and speaker
<b>I/O</b>	High speed USB 2.0 from cradle (or I/O cable)
<b>Battery</b>	Standard Li-ion battery 3.7V / 4000 mAh / 14.8 Wh
<b>Expected Hours of Operation</b>	8.5+ hours (with scan and continuously transmitting if using new standard Li-ion battery)
<b>Charging</b>	5V input through MicroUSB port.
<b>Expected Charge Time</b>	Standard Capacity: 4000mAh – approx. 5 hours
<b>Charging Peripherals</b>	MicroUSB Adaptor Single Slot cradle–single-bay terminal charge/communicate Single Ethernet cradle–single-bay terminal charge/communication base (Via Ethernet connection) Quad Battery Charger
<b>WPAN</b>	Bluetooth Class II (10 m) v2.1 Enhanced Data Rate (EDR) with internal antenna.
<b>WLAN</b>	Dual Mode 802.11 b/g/n (11 Mbps/54 Mbps) with internal antenna
<b>WLAN Security</b>	Wi-Fi Certified, 802.1X, WPA2, EAP, WEP, LEAP, TKIP, MSD, EAP-TLS, EAP-TTLS, WPAPSK, PEAP, CCXv4
<b>WWAN</b>	P/N : NX4-1DGN-0-E/ NX4-2DGQ-R-E/ NX4-2DGQ-0-E / NX4-2DGN-R-E/ NX4-2DGN-0-E GSM/CDMA : Quad band, 850/900/1800/1900MHz UMTS/HSPA+: Five band, 800/850/900/1900/2100MHz  P/N : NX4-1DCN-0-E CDMA : Dual Band,US 800/1900MHz

<b>GPS</b>	Standalone and Assisted GPS
<b>Operating Temperature</b>	-20° to 55°C
<b>Charging Temperature</b>	0~45°C (±3°C)
<b>Storage Temperature</b>	-25°C to 70°C
<b>Humidity</b>	95% humidity, non-condensing
<b>Construction</b>	High impact resistant PC/ABS housings Magnesium alloy internal chassis with component shock mounts
<b>Drop</b>	1.22m multiple drops to concrete, MIL-STD-810G, Method 516.6, Procedure
<b>Tumble</b>	3.3 ft (1.0m) tumbles (500 drops)
<b>ESD</b>	Air: ± 15kV Direct: ± 8kV
<b>Environmental</b>	Independently certified to meet IP65 standards for moisture and particle resistance
<b>Dimensions</b>	H; 157.4mm x W; 74.2mm x L; 25.8mm(top)
<b>Weight</b>	1) 1D ; 348g ± 5g (with Accessories) 2) 2D ; 352g ± 5g (with Accessories)
<b>Scanner / Decode Capabilities</b>	1D Laser model: N4313 laser engine. Decodes all standard 1D codes. 2D engine model: N560X 2D Imager. Decodes all standard 1D, 2D, Postal, and OCR codes.

## 5. USING THE KEYPAD

### 5.1. Numeric Keypad Layout



### 5.2. Navigation Keys

Located in the center of the keypad for easy access with either hand, the navigation keys enable you to move the cursor up and down lines and from character to character.

### 5.3. Basic Keys

Name	Function
<b>BLUE(ALPHA)</b>	Toggles the keypad between alpha (upper and lowercase) and numeric modes. Indicator changes accordingly on the command bar.
<b>Backspace</b>	Backspace moves the cursor back one space. If you are typing text, a character is deleted each time you press the backspace key.
<b>Window</b>	Shows the start menu directly.
<b>Send</b>	Begin dialing. Start an action.
<b>End</b>	Hang up. Cancels an action.
<b>Enter</b>	Performs the same function as the Enter key on a workstation.
<b>Power</b>	Suspends and resumes the terminal.
<b>Scan</b>	Activates the image engine to scan a bar code or take an image.

<b>Space</b>	Moves the cursor one space forward. If you are typing text, it moves the text one space forward as well.
--------------	-------------------------------------------------------------------------------------------------------------

### 5.4. Alpha/Numeric Modes

The keypad defaults to numeric mode. Use the ALPHA key to toggle between numeric and alpha modes. Pressing the ALPHA key once locks the keypad in numeric mode, alpha mode (lowercase), or alpha mode (uppercase).

The command bar on the screen displays an icon that indicates the alpha/numeric status of the keypad.



Icon	Keypad Status
<b>a</b>	Lowercase alpha mode.
<b>A</b>	Uppercase alpha mode.
<b>1</b>	Numeric mode.

### 5.5. White Indicators on the Numeric Keys

(Please refer to Handheld Keyboard Specification v1.5 document)

The mode is changed as Numeric / Upper / Lower when you press the white key, you can type each number/capital letter/small letter in the sequence

Each number key display the characters typed when you press that key in alpha mode.

Note that when typing in alpha mode, you must use the same multi-press method you would use when typing letters on a phone keypad. Each key press types the next letter in the sequence as displayed by the alpha indicator.

## 5.6. Program Buttons

Buttons can be programmed to execute different functions using the Program Button program in the Control Panel. The following buttons on the HANDY TERMINAL are programmed for the listed function.

<b>Key Combination</b>	<b>Function</b>
<b>FSCAN</b>	Do Scan
<b>LSCAN</b>	Do Scan
<b>RSCAN</b>	Do Scan
<b>F1</b>	No Action
<b>F2</b>	No Action
<b>F3</b>	No Action
<b>F4</b>	No Action
<b>SPACE</b>	Space
<b>STARTMENU</b>	Start Menu Key
<b>BACK SPACE</b>	Bksp Key
<b>ENTER</b>	Return Key
<b>VOL+</b>	Volume up
<b>VOL-</b>	Volume down
<b>CAMERA</b>	Camera
<b>BACKLIGHT</b>	Backlight
<b>VIBRATOR</b>	Vibrator
<b>LOCK</b>	Lock

## **6. USING THE IMAGE ENGINE**

### **6.1. Overview**

The HANDY TERMINAL contains an N560X 2D image engine that instantly reads all popular 1D and 2D bar codes and supports omni-directional aiming and decoding or a N4313 1D laser engine that reads all popular 1D bar codes. The image engine can also capture digital images, such as signatures and pictures.

**NOTE:** It may not read the barcode due to specular reflection if scanning from directly above. Try again after changing angle.

**NOTE:** It may not read the barcode, if this handy terminal is too close to or too far from the barcode even if the barcode is within the aiming range. Move the handy terminal toward or away from the barcode slowly and try again. The aiming range is for reference only.

**NOTE:** It may not read the barcode if the barcode surface is curved. Scan the barcode at the center of the aiming range.

**NOTE:** It may not read the barcode if the barcode surface is dirty. Try again after cleaning the barcode.

**NOTE:** It may not read the barcode if the image engine window is dirty. Try again after wiping the window with a cotton swab or similar soft object gently.

**NOTE:** It may not read the barcode according to the direct sunlight or the brightness of the surrounding. Try again away from the direct sunlight. Try again after adjusting the brightness of the surrounding if indoors.

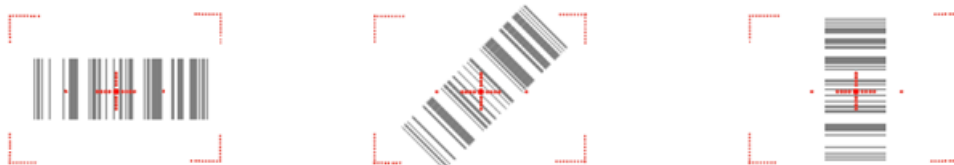
**NOTE:** It may not read the barcode if it is blue on white background. Try again after changing angle or adjusting the brightness of the surrounding.

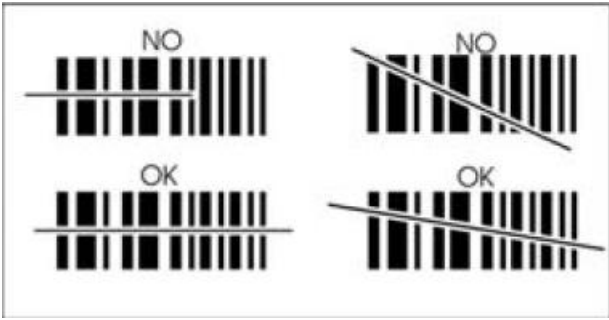
**NOTE:** It may not read the barcode if it is black on silver background. Try again after changing angle or adjusting the brightness of the surrounding.

**NOTE:** Bar codes printed on glossy or laminated paper are best read at angles greater than 5° in relation to the Laser Engine. This prevents bright illumination reflections from being returned to the Laser Engine..

**NOTE:** Performance may be impacted by bar code quality and environmental conditions

**NOTE:** Misreading may occur, if the bar code isn't positioned correctly. Recommended scanner beam positions are as follows





## 6.2. Available Image Engines

The HANDY TERMINAL is equipped with an N560X.



### 6.3. Depth of Field

**Depth of Field for N560X**

<i>Focus</i>	<i>High Density (HD)</i>			<i>Standard Range (SR)</i>			<i>Extended Range (ER)</i>		
	<b>Near Distance (in/cm)</b>	<b>Far Distance (in/cm)</b>	<b>Delta (in/cm)</b>	<b>Near Distance (in/cm)</b>	<b>Far Distance (in/cm)</b>	<b>Delta (in/cm)</b>	<b>Near Distance (in/cm)</b>	<b>Far Distance (in/cm)</b>	<b>Delta (in/cm)</b>
3 mil C39/128	2.2 (5.6)	3.1 (7.9)	.9 (2.3)	-	-	-	-	-	-
5 mil C39/128	1.6 (4.1)	4.5 (11.4)	2.9 (7.4)	3.0 (7.6)	6.1 (15.5)	3.1 (7.9)	5.8 (14.7)	8.8 (22.4)	3.0 (7.6)
7.5 mil C39/128	1.8 (4.6)	5.0 (12.7)	3.2 (8.1)	2.4 (6.1)	8.4 (21.3)	6.0 (12.2)	4.4 (11.2)	13.0 (33.2)	8.6 (21.8)
10 mil C39/128	1.7 (4.3)	5.1 (13.0)	3.4 (8.6)	1.9 (4.8)	12.0 (30.5)	10.1 (25.7)	3.2 (8.1)	16.1 (40.9)	12.9 (32.8)
15 mil C39/128	1.4 (3.6)	7.6 (19.3)	6.2 (15.8)	2.2 (5.6)	17.9 (45.5)	15.7 (40.0)	2.0 (5.1)	19.0 (48.3)	17.0 (43.2)
20 mil C39/128	2.7 (6.9)	8.6 (21.8)	5.9 (15.0)	2.8 (7.1)	17.8 (45.2)	15.0 (38.1)	3.1 (7.9)	22.8 (57.9)	19.7 (50.0)
100% UPC	2.2 (5.6)	6.7 (17.0)	4.5 (11.4)	2.1 (5.3)	15.0 (38.1)	12.9 (32.8)	2.8 (7.1)	19.0 (48.3)	16.2 (41.2)
5 mil PDF417	1.7 (4.3)	4.2 (10.7)	2.5 (6.4)	3.0 (7.6)	4.5 (11.4)	1.5 (3.8)	6.1 (15.5)	7.4 (18.8)	1.3 (3.3)
6.7 mil PDF417	1.7 (4.3)	4.7 (11.9)	3.0 (7.6)	2.5 (6.4)	6.6 (16.8)	4.1 (10.4)	4.7 (11.9)	9.8 (24.9)	5.1 (13.0)
10 mil PDF417	1.8 (4.6)	5.6 (14.2)	3.8 (9.7)	1.7 (4.3)	10.5 (26.7)	8.8 (22.4)	2.4 (6.1)	14.9 (37.8)	12.5 (31.8)
5 mil MicroPDF	1.8 (4.6)	3.2 (8.1)	1.4 (3.6)	-	-	-	-	-	-
5 mil Data Matrix	2.0 (5.1)	3.0 (7.6)	1.0 (2.5)	-	-	-	-	-	-
10 mil Data Matrix/Aztec	1.7 (4.3)	4.7 (11.9)	3.0 (7.6)	2.9 (7.4)	7.3 (18.5)	4.4 (11.2)	5.3 (13.5)	10.0 (25.4)	4.7 (11.9)
20 mil Data Matrix	1.7 (4.3)	7.0 (17.8)	5.3 (13.5)	2.9 (7.4)	14.2 (36.1)	11.3 (28.7)	4.0 (10.2)	16.0 (40.6)	12.0 (30.5)
10 mil QR	1.2 (3.0)	4.7 (11.9)	3.5 (8.9)	2.6 (6.6)	6.9 (17.5)	4.3 (11.0)	4.3 (10.9)	10.4 (26.4)	6.1 (15.5)
20 mil QR	2.2 (5.6)	7.2 (18.3)	5.0 (12.7)	2.0 (5.1)	15.0 (38.1)	13.0 (33)	2.1 (5.3)	17.7 (45.0)	15.6 (39.6)
32 mil Maxicode	2.2 (5.6)	8.3 (21.1)	6.1 (15.5)	2.9 (7.4)	15.3 (38.9)	12.4 (31.5)	4.2 (10.7)	17.7 (45.0)	13.5 (34.3)

 **NOTE:** Test Condition: Room Temperature (Approx. 23°C), 0 Lux.

**6.4. Supported Bar Code Symbologies**

Symbology Type	Symbology Name
<b>1D Symbologies</b>	Codabar Code 11 Code 128 Code 39 Code 93 / 93i EAN-8 EAN-13 Interleaved 2 of 5 Reduced Space Symbology UPC-A UPC-E MSI Trioptic Code Code 32 Pharmaceutical (PARAF) Matrix 2 of 5 Telepen GS1-128 ISBT 128 Straight 2 of 5 (Industrial) UPC-A (Coupon Code) UPC-E1 Straight 2 of 5 (IATA)
<b>2D Symbologies</b>	Aztec Code Data Matrix MaxiCode MicroPDF417 PDF417 QR Code and Micro QR Code Han Xin
<b>Composite Codes</b>	EAN.UCC Composite Codablock F TCIF Linked Code 39 (TLC39)
<b>OCR</b>	OCR
<b>Postal Codes</b>	Postnet British Post(BPO) Canadian Post Australian Post Japanese Post Planet Code KIX (Netherlands) Post China Post Korea Post 4-CB(4-State Customer Barcode) ID-Tag(UPU 4-State)

**6.5. Activating the Engine**

When a scanning application is open, press the **Scan** key to activate the image engine.

## **6.6. Using Demos**

Handy Terminal Demos are software utilities loaded on all Handy Terminal terminals that demonstrate the advanced features of the terminal. There are two Demos that feature the image engine: Image Demo and Scan Demo.

To access these demos, tap **Start -> Demos**.

- Select **Scan Demo** to verify decoding, or
- Select **Image Demo** to verify imaging (not available on device using the N4313 laser engine).

## **6.7. Decoding**

The Handy Terminal supports Full-area Imaging decode mode.

### **Full-area Imaging**

With full-area imaging the Handy Terminal supports omni-directional aiming meaning that a positive read can be obtained from many positions. For details, see Omni-Directional Scanning Positions on paragraph 6.10.

## **6.8. To Decode a Bar Code**

1. Tap **Start -> Demos -> Scan Demo**.
2. Position the Handy Terminal over one of the Sample Bar Codes on paragraph 6.9.  
A range of 4–10 inches (10–25 cm) from the bar code is recommended.
3. Project the aiming brackets by pressing and holding the **Scan** key. The Scan LED lights red.
4. Center the aimer crosshair over the bar code. The aiming beam should be oriented in line with the bar code to achieve optimal decoding; Omni-Directional Scanning Positions on paragraph 6.10.
5. When the bar code is successfully decoded, the decode LED lights green and the terminal beeps.

## **6.9. Sample Bar Codes**

You can use the following bar codes to verify decoding:

Code 39

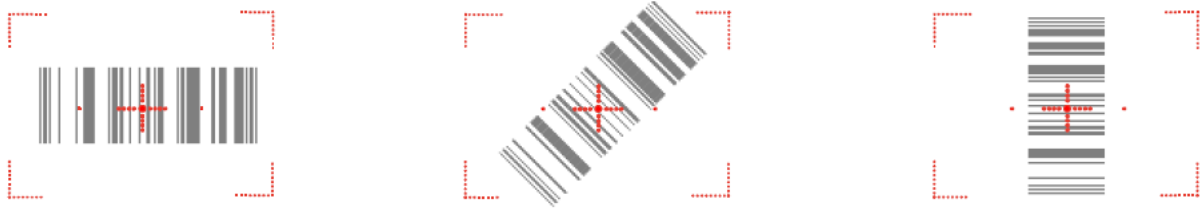


PDF 417



## **6.10. Omni-Directional Scanning Positions**

The high-vis aiming pattern frames the bar code to provide you with the best scanning performance.



**NOTE:** To achieve the best read, the aiming beam should be centered horizontally across the bar code.

The aiming pattern is smaller when the terminal is held closer to the code and larger when the terminal is held farther from the code. Symbologies with smaller bars or elements (mil size) should be read closer to the unit whereas larger bars or elements (mil size) should be read farther from the unit.

## **6.11. Capturing Images**

The image-capture process is an intuitive, split-second operation for experienced users. By following basic guidelines, however, new users can easily develop their own technique and, with practice, quickly learn to adapt to different application environments.

### **Image Preview**

When the imaging process is initiated, the touch screen displays a preview of the object. This is a live video image of what the imager is currently viewing and has a slightly degraded appearance compared to the captured image. This is normal; the captured image has a higher resolution.

### **File Formats**

The Handy Terminal supports BMP file format only.

## 7. USING THE LASER ENGINE

### 7.1. Overview

The HANDY TERMINAL (N4313 laser version) contains a laser diode that emits a beam toward an oscillating mirror that scans through the code and the reflected light is bounced off of two mirrors back to the collector. The laser version reads all popular 1D bar codes. See Overview on paragraph 6.1 also.

**NOTE:** Performance may be impacted by bar code quality and environmental conditions.

### 7.2. Available Laser Engines

The HANDY TERMINAL can be equipped with an N4313 laser engine (depending on the configuration purchased).

### 7.3. Depth of Field

#### Depth of Field for N4313

Code Size	Reference Range	
	Near Distance (in/cm)	Far Distance (in/cm)
Code 39 4 mil	5in / 12.7cm	5.4in / 13.8cm
Code 39 5 mil	4.1in / 11.7cm	7.2in / 18.4cm
Code 39 7.5 mil	4.1in / 10.4cm	10.7in / 27.4cm
Cede 39 10 mil	3.4in / 8.7cm	14.5in / 36.9cm
UPC 13 mil, 100%	1.9in / 4.7cm	16.8in / 42.8cm
Code 39 15 mil	1.9in / 4.7cm	19.9in / 50.4cm
Code 39 20 mil	(*)	25.5in / 64.6cm
Code 39 40 mil	(*)	26.7in / 67.5cm
Code 39 55 mil	(*)	31.8in / 80.8cm

**NOTE:** Test Condition: Room Temperature(Aprox. 20°C), 450 ~ 500 Lux.

**NOTE:** \* = dependent on width of bar code.

### 7.4. Supported Bar Code Symbologies

Symbology Type	Symbology Name	
1D Symbologies	Codabar	UPC A
	Code 39	UPC E
	Interleaved 2of 5	EAN 13
	Nec 2of5	EAN 8
	Code 93	MSI
	Straight 2of5 Industrial	Plessey
	Straight 2 of 5 IATA	GS1 Databar Omnidirectional
	Matrix 2 of 5	GS1 Databar Limited)
	Code 11	GS1 Databar (Expanded
	Code 128	China Post
	GS1 128	Trioptic
	Telepen	

### 7.5. Activating the Engine

When a scanning application is open, press the Scan key to activate the laser engine.

### 7.6. Using Demos

Handy Terminal Demos are software utilities loaded on Handy Terminals that demonstrate the advanced features of the terminal.

To access these demos, tap **Start > Demos**.

- Select **Scan Demo** to verify decoding

### 7.7. Decoding a Bar Code

1. Tap **Start > Demos > Scan Demo**.
2. Position the Handy Terminal over one of the Sample Bar Codes on paragraph 7.8.  
A range of 4-10 inches (10-25 cm) from the bar code is recommended.
3. Project the aiming beam by pressing and holding the **Scan** key. The Scan LED lights red.
4. Center the aimer beam horizontally over the bar code and highlight all of the vertical bars of the bar code. The aiming pattern is smaller when the terminal is held closer to the code and larger when the terminal is held farther from the code. Symbologies with smaller bars or elements (mil size) should be read closer to the unit whereas larger bars or elements (mil size) should be read farther from the unit.
5. When the bar code is successfully decoded, the decode LED lights green and the terminal beeps.

### **7.8. Sample Bar Code**

You can use the following bar code to verify decoding:



### **7.9. Scanning Positions**

The aiming beam must be aimed across the entire bar code to provide you with the best scanning performance. The aiming pattern is smaller when the terminal is held closer to the code and larger when the terminal is held farther from the code. Symbologies with smaller bars or elements (mil size) should be read closer to the unit whereas larger bars or elements (mil size) should be read farther from the unit.




## 8. USING SCANWEDGE

### 8.1. Overview


ScanWedge sends data from the installed scan engine(N4313 or N560X) to the foreground application as keystrokes or clipboard. The foreground application is the open software application whose window is currently active on the display. As a result, you can check decoded bar code data with Microsoft WordPad.

### 8.2. Enabling ScanWedge

ScanWedge is enabled by default in Handy Terminal

Tap the ScanWedge icon  once. ScanWedge initializes and enables.

#### Command Bar Menu

Tap  icon in taskbar to open the command bar menu.



Menu Item	Sub Item	This item ...
Notification	Beep	Enables and disables the audio notification for decode/data reception. There is one sound for success and another sound for an error.
	LED	Enables and disables LED notification for decode/data reception.
	Vibrator	Enables and disables Vibrator notification for decode/data reception.
		Specifies the method to use when sending the decoded message to the foreground application
Result Type	Keyboard Event	Send decoded bar code data as Keyboard event(stroke)
	Clipboard	Send decoded bar code data to clipboard(copy & paste)
Terminator	None	Add nothing at end of decoded bar code data
	CRLF	Add CRLF at end of decoded bar code data
	Space	Add Space at end of decoded bar code data
	Tab	Add Tab at end of decoded bar code data



## NAUTIZ X4 Manual Version 1.1

Auto Scan	-	Enable Auto Scan feature
Continuous Scan	-	Enable Continuous Scan feature
Setting	-	Open Scanner setting applet
Disable Scanner	-	Disable Scanner trigger
Close	-	Close Scan wedge

## 9. USING CONTROL PANEL

### 9.1. System Properties



Refer to the System control panel for information related to the system.

#### 9.1.1. Version

1. Select
2. Start > Settings > System > About > Version tab to determine the following information about your PDA:
  - Operating system
  - Processor
  - Memory
  - Expansion slot

#### 9.1.2. Device ID

Your device uses this information to identify itself to other computers.

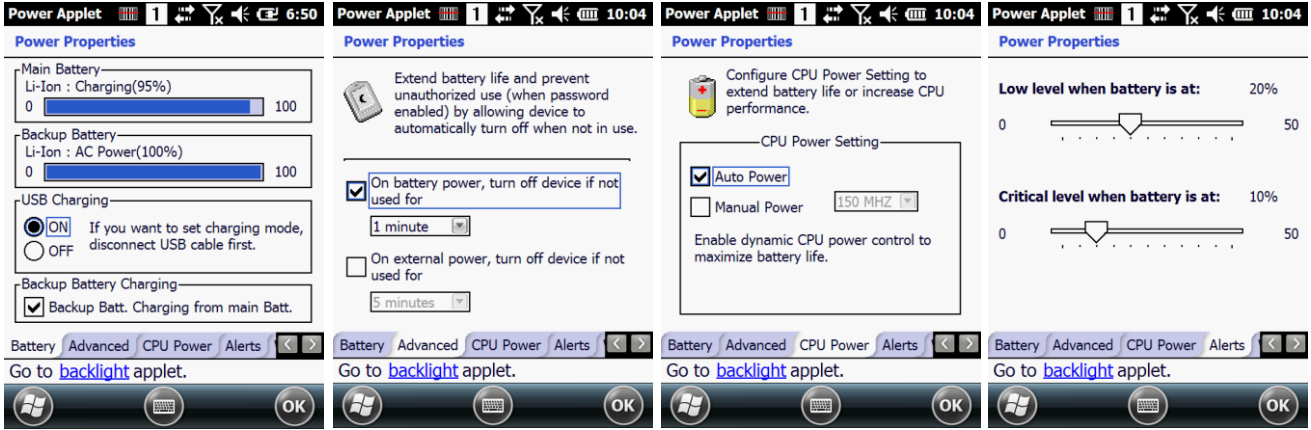
Terminal Serial Number will be in Device Name section by default. You can modify it

#### 9.1.3. Copyrights

Portions of this software are based on NCSA Mosaic.



## 9.2. Power properties



### 9.2.1. Battery tab

To see main battery level indicators open Start > Settings > System > Power icon .

Set up the USB charging and On / Off

### 9.2.2. Advanced tab

To adjust power management settings,

1. Set idle time when on battery power before device suspends.
2. Set idle time when on external power before device suspends.
3. To exit, press **OK** from the command bar, or press the **< ENT >** key on the keypad.

**NOTE:** To save battery life it is recommended to set idle time as short as possible.

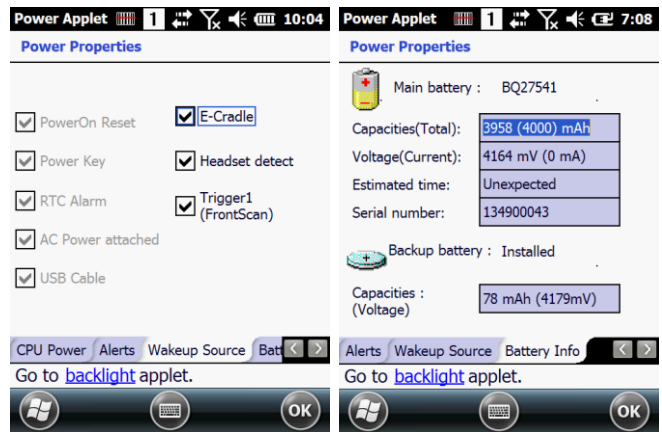
### 9.2.3. CPU Power Tab

To adjust CPU power settings,

1. Auto Power : Enable automatically CPU power control to maximize battery life.
2. Manual Power : CPU Clock can be fixed by User.

### 9.2.4. Alerts Tab

Adjust the level of main battery for Low battery message and Critical battery message.



By default, 20% is set for Low battery message and 10% is set for Critical battery message.

### 9.2.5. Wakeup Source Tab

Enable Wake(Resume) resources from suspend(Sleep) mode  
By default, all available resources are enabled.

### 9.2.6. Battery Info Tab

To see battery information,  
Start > Settings > System > Power icon> Battery Info Tab  
Indicate Capacities, Voltage, Estimated time, Serial number etc.

## 9.3. Program Button properties

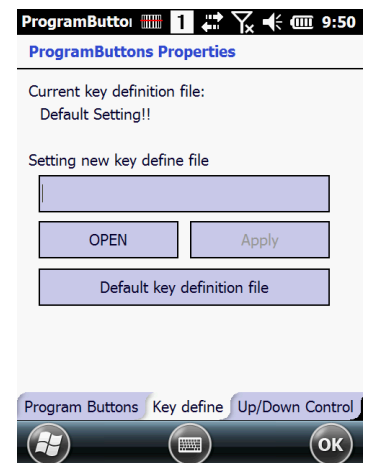
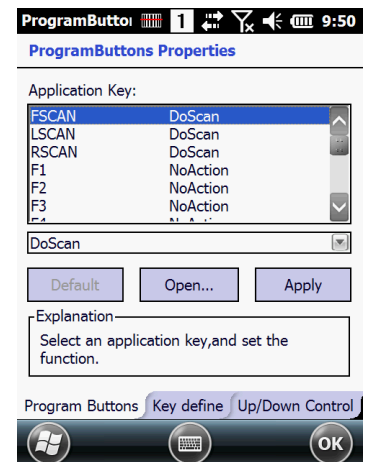


### 9.3.1. Program Buttons Tab

1. Select  
**Start > Settings > Control Panel > Program buttons**
2. Chose its type:
  - **Default** – button will be assigned default function.
  - **No function** – button does not have any functions.
  - **Scan key** – button is used as Scan key.
  - **Application** – click on **Open** button and select application to bind with this key.
4. To exit, press **OK** from the command bar, or press the **< ENT >** key on the keypad

### 9.3.2. Key define Tab

Apply and Set the key which is already defined

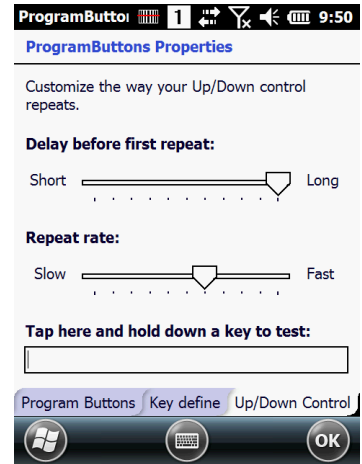


### 9.3.3. Up/Down Control Tab

Customize the way the Up/Down control repeats

- Delay before first repeat (Short/Long)
- Repeat rate (Slow/Fast)

**NOTE:** It is useful for a customer to want to remap keyboard.



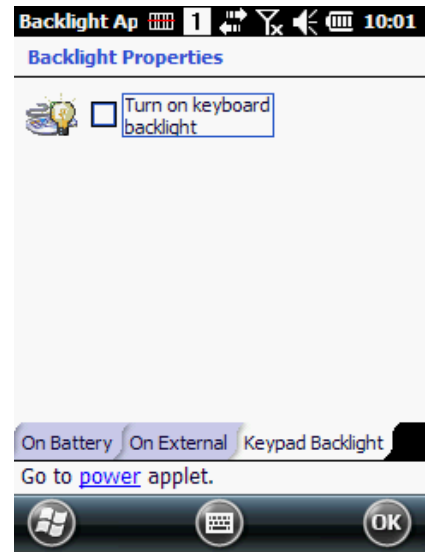
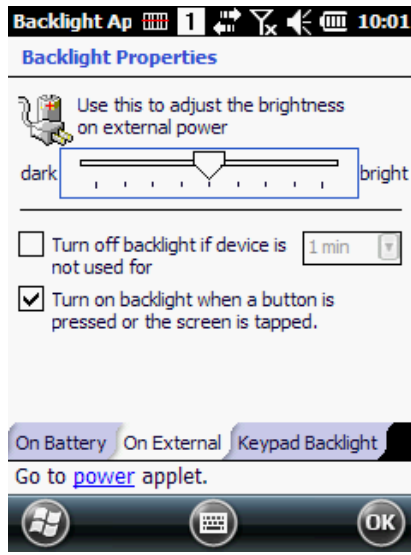
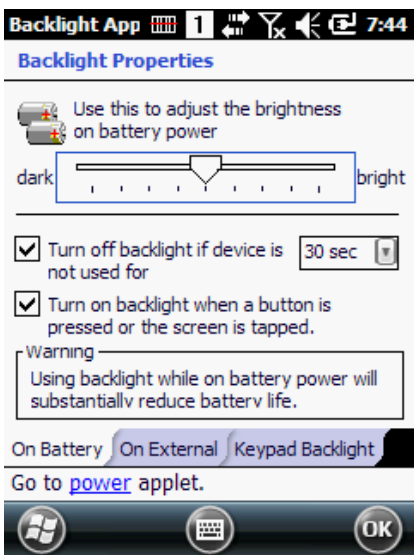
### 9.4. Backlight Properties



Modify display and keyboard backlight brightness. Also set backlight options (i.e. turn off time).

To modify backlight settings open:

**Start > Settings > Control Panel > Backlight**



#### 9.4.1. Battery power Tab

Modify display backlight settings when device runs on batteries.

- Set display brightness level
- Set backlight timeout time.

Available options:

- 10 sec
- 30 sec (by default)
- 1 min
- 2 min
- 3 min
- 4 min
- 5 min

- Enable to turn on backlight when a button is pressed or the screen is tapped

**NOTE:** To extend battery life it is recommended to set display backlight turn off time as short as possible.

**NOTE:** To extend battery life it is recommended to set display backlight brightness level as low as possible.

### 9.4.2. External power Tab

Modify display backlight settings when device runs on external power.

- Set display brightness level
- Set backlight timeout time.

Available options:

**Unchecked** (By default)

- 1 min
- 2 min
- 5 min
- 10 min
- 15 min
- 30 min

- Enable to turn on backlight when a button is pressed or the screen is tapped

### 9.4.3. Keyboard backlight Tab

Enable Keyboard backlight when button is pressed

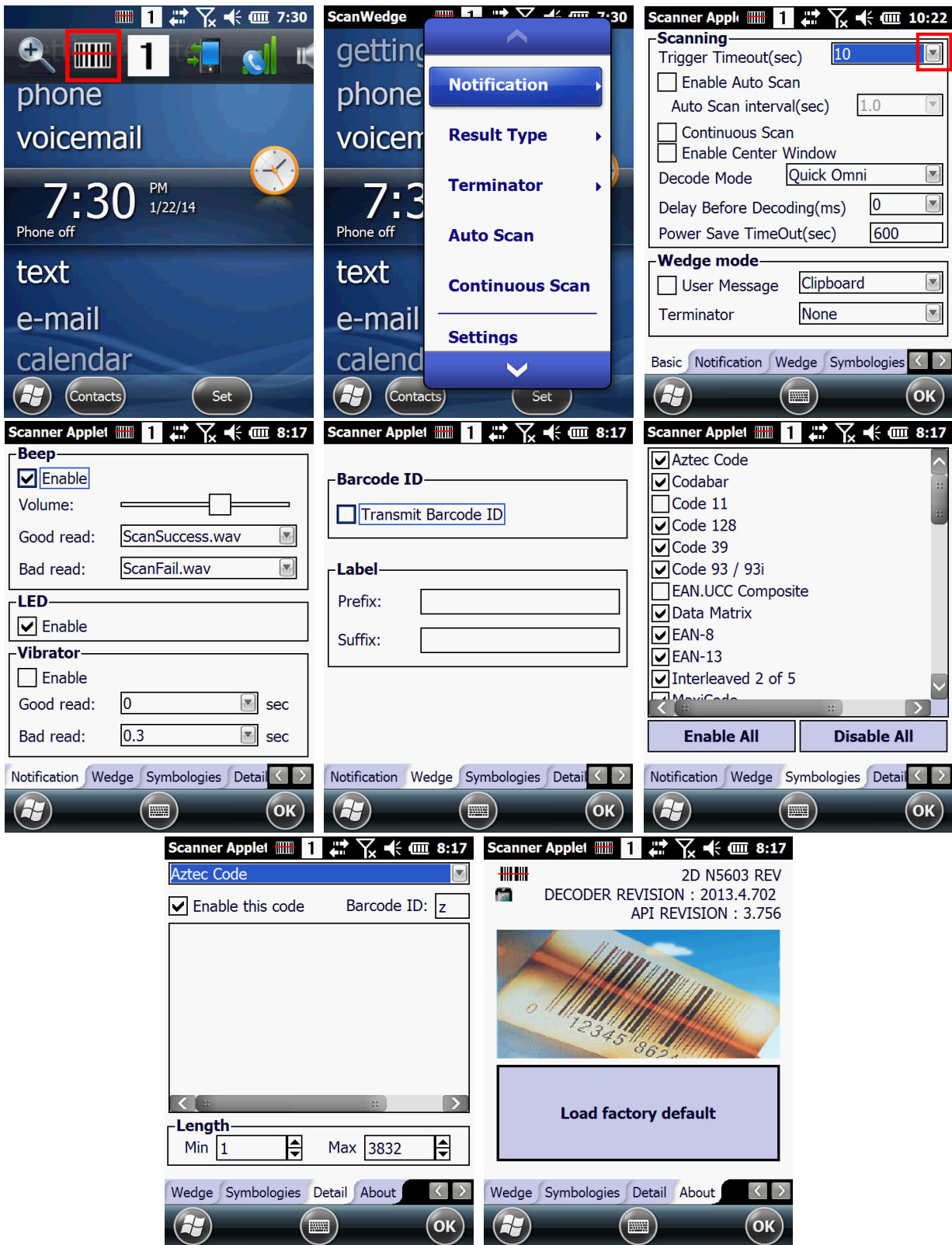
By default this is turned off.

## 9.5. Scanner Settings



To change the Scanner configuration parameter as follows:

Tap the Scanwedge icon in the System Tray to open the menu shown in image on the right and select **Settings** to open the Scanner Settings applet or **Start > Settings > System > Scanner Settings**



9.5.1. Scanner Settings Applet

Tab	Section	Option	Description
Basic	Scanning	Trigger timeout (sec)	Specifies the trigger time out in seconds. If a barcode is not decoded within the specified timeout, the default Notifier indicates that decoding is failed
		Enable Auto Scan	Enable Auto Scan with specified interval.
		Auto Scan interval (sec)	Set Auto Scan interval time.
		Continuous Scan	Enable Continuous Scan without any interval.
		Enable Center Window (IT5300SR device only)	Enable Center window. Bar codes are decoded only if they are within the specified windows
		Decode Mode(IT5300SR device only)	Standard: Quick Omni ( <i>By default</i> ):
		Delay Before Decoding(IT5300SR device only)	Start to decoding after specified milliseconds Values: 0(default), 100, 200, 300, 400, 500, 600, 700, 800, 900, 1000
	Wedge mode	User Message	Select Result Type User Message Keyboard Event Clipboard(default)
		Terminator	Select the desired barcode end method from the pull down list.  Values: None, CRLF, Space, Tab
	Power Save Options (N4313 device only)	Power Save Mode	Select Power Save Mode OFF SLEEP HIBERNATE(default)
		Power Save TimeOut (sec)	1~65535
Notification	Beep  If enabled – plays audio sound	Volume	Set sounds volume.
		Good read	Set sound to indicate good read.
		Bad read	Set sound to indicate bad read.
	LED	Enable	Enable visual scan indicators.
	Vibrator	Good read	Set vibration time after good read.



	If enabled - Turn on LED for good/bad scan indicator	Bad read	Set vibration time after bad read.
<b>Wedge</b>	<b>Barcode ID</b>	Transmit Barcode ID	Enable to transmit predefined barcode ID in Detail tab
	<b>Label</b>	Prefix	Enter Prefix to be sent prior to the decoded/received data.
		Suffix	Enter Suffix to be sent after the decoded/received data
<b>Symbologies</b>	Select barcode types you want to read There is "Enable All" and "Disable All" to enable/disable all symbologies		

<b>Tab</b>	<b>Section</b>	<b>Option</b>	<b>Description</b>
<b>Details</b>	Specifies or enable available detail settings in symbologies	Enable this code	Tap/enable this checkbox to enable the selected bar code type.
		Barcode ID	Enter the desired features you wish to transmit as bar code ID
		Length	Set the minimum and maximum lengths from the pull-down lists. If the numbers are the same, acceptable bar codes will only be that length. Not all types will have this option enabled.
		Redundancy(N4313 device only)	If you are encountering errors when reading some bar codes, you may want to adjust the redundancy count. Redundancy adjusts the number of times a bar code is decoded before transmission, which may reduce the number of errors. Note that the higher the redundancy count, the longer it will take to decode the bar code
<b>About</b>	Specifies Barcode engine type, Firmware revision, Decider revision, API revision		
	Load Factory Default	After modifying the current settings, if you wish to return to the factory defaults, tap the Load Factory Default button.	

## **10. COMMUNICATION**

### **10.1. Communication Options**

Handy Terminal offers several communication options including Microsoft ActiveSync and wireless radios.

#### **USB Connector**

The MicroUSB connector on bottom side supports USB 2.0 High speed

#### **HandyLink Connector (Wired Communication)**

The mechanical connector on the bottom panel connects the terminal to various Handy Terminal communication peripherals that connect to a host workstation via USB (1.1 or higher), thus enabling ActiveSync communication.

For more information, see ActiveSync Communication on paragraph 10.4.

#### **Wireless Radios (Wireless Communication)**

HANDY TERMINALS can be equipped with an 802.11b/g/n Bluetooth radio and WWAN.

For more information, see Wireless Radios on paragraph 10.14.

### **10.2. Installing Additional Software**

Handy Terminal is shipped with the operating system, radio drivers, and custom software (CICO) already installed. These are the default programs that install when your terminal first boots up. You can install additional software programs on the terminal provided that the following parameters are met:

- The software program was created for a Windows CE device.
- The terminal has enough memory to store and run the program.
- The program has an EXE, CAB, or DLL extension.

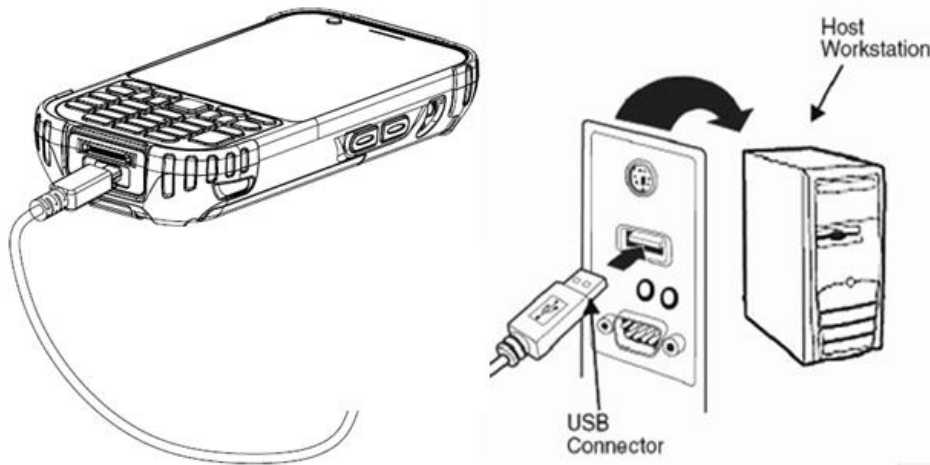
When selecting programs, verify that the program and version of the program are designed for the Windows Embedded Handheld 6.5 Pro and the terminal's processor. You can verify your processor by tapping **Start** -> **Settings** -> **System** -> **About** -> **Version** tab. Make a note of the information in the **Processor** field.

To install additional software, you can use the communication options described in this chapter.

- Adding Programs via ActiveSync (paragraph 10.13).
- Adding Programs from the Internet (paragraph 10.17).

### **10.3. Connecting the USB ActiveSync Cable**

To facilitate USB communication between the Handy Terminal and the host workstation, you may connect your unit to a host by using either the USB ActiveSync cable, the optional Single Slot Docking Cradle or the optional Single Slot Ethernet Cradle. If you use the Communication Cable, slide the cable unit onto the bottom of the terminal lining up the terminal's micro-USB connector with the cable unit's connector.



## 10.4. ActiveSync Communication

To synchronize, ActiveSync 4.1 or higher must be installed and configured for the appropriate communication type on the host workstation and the Handy Terminal. Handy Terminals ship with ActiveSync already installed. Therefore, if ActiveSync is already installed on the host workstation, you just need to connect the Handy Terminal to the host workstation (via Handy Terminal peripheral) to initiate communication.

**NOTE:** You can download the most current version of ActiveSync (for Windows XP) or Windows Mobile Device Center (Windows Vista, 7) from [www.microsoft.com](http://www.microsoft.com).



**WARNING:** When communicating via ActiveSync, your terminal is designed to be connected to the host workstation with a Handheld communication peripheral. We recommend use of Handheld peripherals, power cables, and power adapters. Use of any non-Handheld peripherals, cables, or power adapters may cause damage not covered by the warranty.

## 10.5. Communication Type

The HANDY TERMINAL supports the following type of communication via ActiveSync through its I/O connector on the bottom panel:

**USB** The USB cable and hardware peripherals allow the Handy Terminal to communicate with a workstation through a USB port or to a network through a USB hub. The Handy Terminal supports high-speed USB communication (USB 2.0); maximum data transfer rate is 480 Mbps. The Handy Terminal defaults to USB communication out of the box.

## 10.6. Hardware Requirements for Setup

- AC Adaptor (if needed)
- USB ActiveSync Cable (for USB communication)
- ActiveSync v4.1 or higher (for Windows XP), Windows Mobile Device Center (for Vista and Windows 7) installed on the host workstation
- Windows XP, Windows Vista, Windows 7 computer.

### **10.7. Software Requirements for Communication**

To sync successfully, ActiveSync must be configured for the same communication type on both the host workstation and the Handy Terminal. ActiveSync must be setup on your workstation before you initiate synchronization from the terminal for the first time.

### **10.8. Setting Up the Host Workstation**

Verify that ActiveSync is configured to use the appropriate communication type by selecting **File -> Connection Settings**.

For USB communication, check **Allow USB connections**.

### **10.9. Communicating with the Handy Terminal**

After setting up both the workstation and the terminal, ActiveSync connection should be automatic.

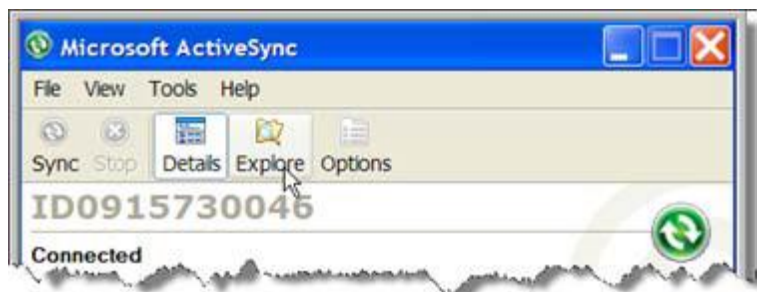
1. Connect the Handy Terminal to a communication peripheral, such as the Handy Terminal Docking cradle.
2. The Handy Terminal automatically opens ActiveSync or Windows Mobile Device Center to establish a connection.

### **10.10. Synchronizing with the Host Workstation**

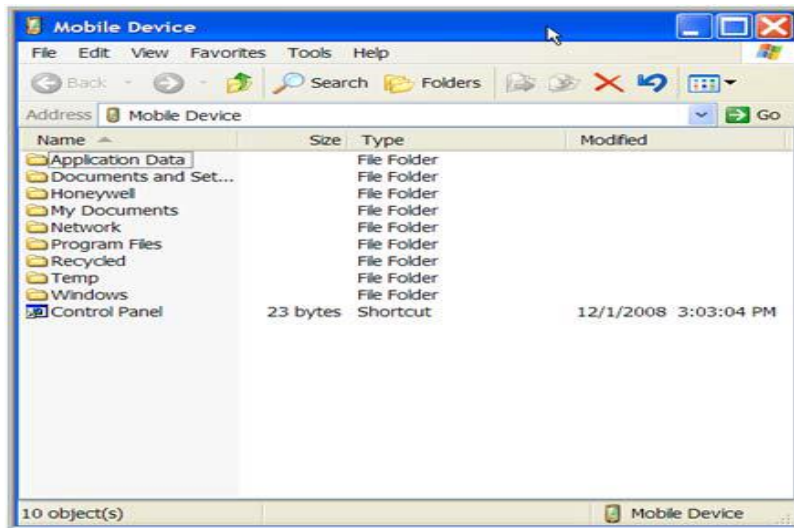
After setup, synchronization begins automatically whenever the terminal's mechanical connector connects to a Handy Terminal peripheral that is connected to a host workstation with ActiveSync installed.

### **10.11. Exploring the Terminal from the Workstation**

When the terminal and desktop computer are connected, open the main ActiveSync window (on the desktop), and click **Explore**.



The Mobile Device folder opens in Windows Explorer.



The Handy Terminal is now treated as a mass storage device, and transferring files is as simple as dragging and dropping or copying and pasting as you would for moving files between folders on your hard drive.

## 10.12. Adding Programs via ActiveSync



**WARNING:** When selecting programs, verify that the program and version of the program are designed for the Windows Embedded Handheld 6.5 Pro and the terminal's processor. You can verify your processor by tapping **Start -> Settings -> System -> About -> Version** tab. Make a note of the information in the Processor field.

Generally, software for Windows Embedded Handheld 6.5 Pro devices must be installed to the host workstation first, then transferred to the Handy Terminal.

1. Download the program to the workstation from either the Internet or the install CD. You may see a single \*.exe or setup.exe file, a \*.cab file, or \*.dll. (There may also be several versions of files for different device types and processors.)
2. Read any installation instructions, Read Me files, or documentation that comes with the program. Many programs provide special installation instructions.
3. Connect the terminal to the workstation via a Handy Terminal communication peripheral.

### If the File is an Installer

An installer program is one that installs to the workstation and the terminal simultaneously; one process installs to both devices.

1. On the workstation, the \*.exe or \*.setup.exe file. The installation wizard begins.
2. Follow the directions on the workstation screen.  
The installation process includes transferring the software to the terminal via ActiveSync.

### If the File is Not an Installer

Some programs cannot be installed on workstations because they are designed exclusively for Windows Embedded Handheld 6.5 Pro devices. In these cases, the appropriate files must be stored on the host workstation and transferred to the terminal via ActiveSync Explore.

**NOTE:** If an error message stating that the program is valid but designed for a different type of computer appears when you try to install the program on the workstation, the program is not an installer.

1. If you cannot find any installation instructions for the program in the Read Me file or documentation, open **ActiveSync** or **Windows Mobile Device Center** on the workstation and click **Explore**.
2. On the workstation, navigate to the workstation folder containing the program file(s) and copy them to the **Program Files** folder on the terminal.  
If you want the program to persist through hard resets, save the program to the **Autoinstall \ Cabfile** folder(\Autoinstall\Cabfile).
3. On the terminal Desktop, File Explorer in Windows Menu navigate to the folder where the program is located.
4. Tap on the program file to install it.  
If you copied the file to the **Autoinstall\Cabfile** folder, you can choose to install the program by performing a hard reset. The program installs as part of initialization.
5. After installation is complete, access the program by tapping **Start -> Programs**, and the program appears on the Programs screen. Tap the icon to open the program.

### 10.13. Wireless Radios

There are four radio options: 802.11b/g/n Bluetooth, Phone and GPS.

1. **802.11 b/g/n** (WLAN configuration): Integrated Wi-Fi (802.11b/g/n Radio), up to 72.2Mbps
2. **Bluetooth** (WPAN configuration): Integrated Bluetooth v2.1+EDR
3. **Phone** (WWAN configuration): 3G WWAN HSPA+Module
4. **GPS**: Module inherent to HSPA+ Module

**NOTE:** NAUTIZ X4 does not provide all Bluetooth profiles.

### 10.14. Connecting the Terminal to a Wireless Network

You connect the terminal to a wireless network through the on-board radio (802.11b/g/n Bluetooth and/or Phone). Each radio has its own configuration program and requires specific information about the wireless network to connect. Successful connection depends on your network infrastructure about which you will need specific information from your network administrator.

**NOTE:** 802.11 b/g/n radio module is off by default, in order to avoid wasting energy, you can switch it off using the Wireless Communications applet

**NOTE:** Suspending the terminal powers off the 802.11 b/g/n radio and drops the radio connection. When the terminal resumes, depending on the radio power mode and security protocol selected, it may take up to 30 seconds for the 802.11 b/g/n radio drivers to re-associate the radio to the network.

**NOTE:** Area coverage and radio performance may vary, due to environmental conditions, access points types or interference caused by other devices (microwave ovens, radio transmitters, etc.). If necessary, please turn off the WLAN or Bluetooth.

**NOTE:** Radio performance may vary if using WLAN, Bluetooths and Phone and phone imultaneously. If necessary, please turn off either WLAN or Bluetooth and/or Phone..

## **10.15. WLAN (802.11 b/g/n Radio)**

HANDY TERMINAL has a 2.4 GHz **802.11 b/g/n** WLAN (Wireless Local Area Network) radio that uses Direct Sequence Spread Spectrum (DSSS) technology. The radio is interoperable with other 802.11 b/g/n, Wi-Fi compliant products including access points (APs), workstations via PC card adapters, and other wireless portable devices.

By default, the 802.11 b/g/n radio is powered-off (i.e., disabled) “out of the box” To power it on (i.e., enable), press the vertical arrow (bottom right corner of screen) and select **Turn Wireless LAN On**. The enable/disable state of the radio will survive subsequent soft and hard resets. The next step is to configure the connection parameters of the radio to connect to a wireless network.

### **Configuring the WLAN Radio**

The WLAN radio is configured in the Handheld WLAN Client, which you access by the program icon in the command bar.

## **10.16. Adding Programs from the Internet**

When you have established a network connection (whether via Wireless LAN, Bluetooth, or activeSync), you can access the Internet and download additional software programs.

When selecting programs, verify that the program and version of the program are designed for **Windows Embedded Handheld 6.5 Pro** and the terminal’s processor. You can verify your processor by tapping **Start -> Settings -> Control Panel -> System -> General tab**. Make a note of the information in the Processor field.

1. Open Internet Explorer and navigate to the program’s location. You may see a single \*.exe or setup.exe file, or several versions of files for different device types and processors.
2. Select the program version that matches your Handy Terminal and processor.
3. Read any installation instructions, Read Me files, or documentation that comes with the program.  
Many programs provide special installation instructions.
4. Download the program to the terminal directly from the Internet.  
You would normally store the program in the **Program Files** folder unless another location is required by the program.
5. On the terminal, the installer file; e.g., the \*.exe file.
6. The installation wizard for the program begins.
7. Follow the directions on the screen to complete installation.

## **11. WLAN CLIENT**

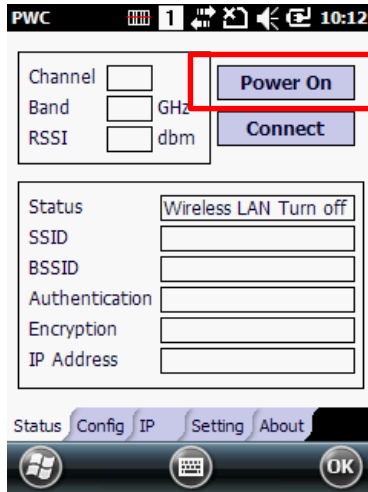
### **11.1. Enabling the WLAN Radio**

The WLAN Driver must be enabled for the radio to transmit a signal.

You cannot connect to a network unless the radio is enabled.

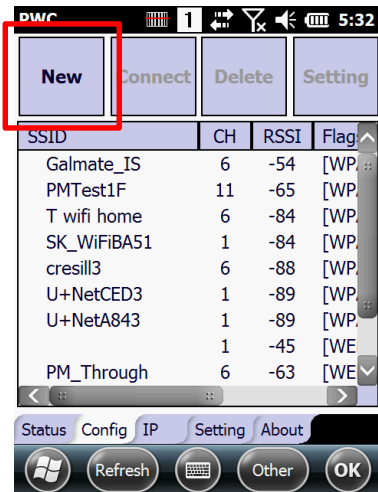
There are two ways in order to enable WLAN Driver,  
Wi-Fi Turn on/off from Wireless Manager and from PWC Control.

1. Start -> Setting -> Connections -> Wireless Manager -> Select Wi-Fi.
2. Start -> PWC -> Power On button tap in Status page.

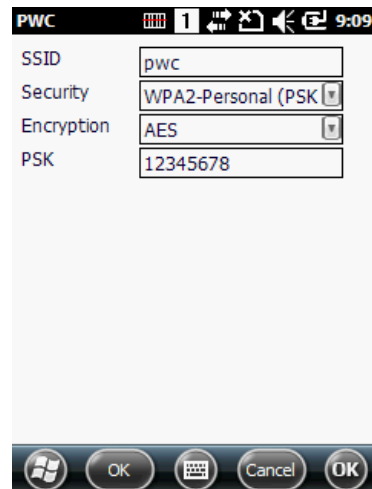


### 11.2. Establishing a Connection

1. Tap Start -> PWC .
2. Tap the Config Tab on PWC.
3. Tap “New” button on top of Config Tab.

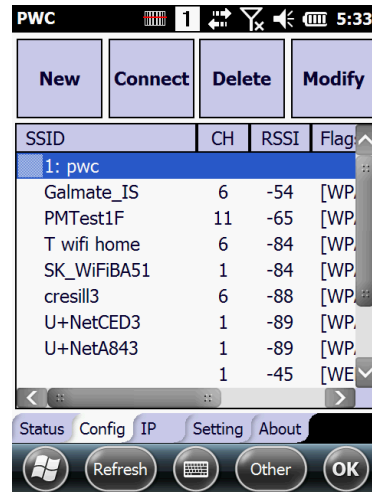


4. Type in SSID on Network Window.
5. Select a specific Security method from the drop-down list according to the Access Point(AP)
6. Select Encryption method according to Security setting
7. Tap OK after type in keys or passwords.

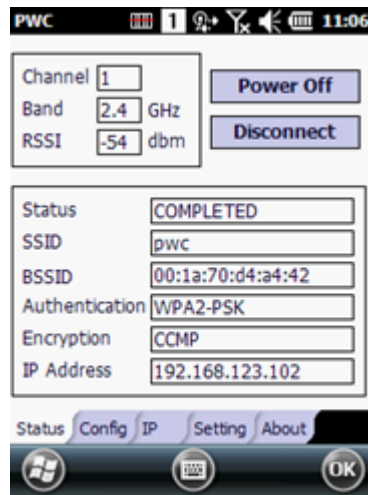
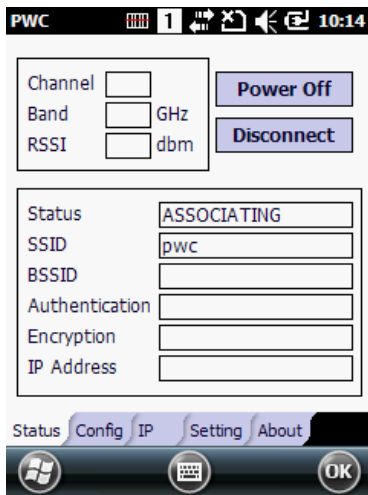




8. you may find SSID appears on Config Tab list.
9. Select SSID and tap “Connect” button.

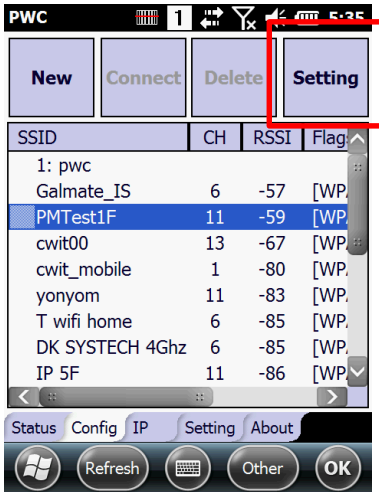


10. The Status tab appears displaying the connection status.



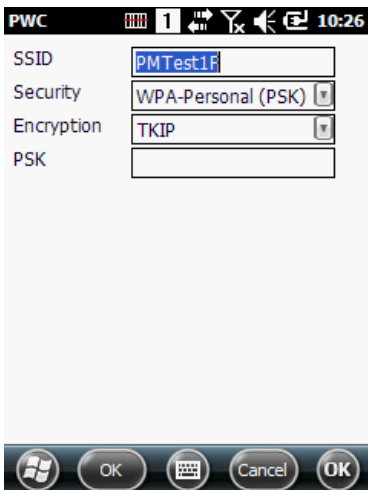
### 11.3. Using the Scan feature

1. The active Config Tab queries for AP lists for devices in range of the terminal, and AP results appears on the Scan window with SSID, Channel, Signal Strength, Flags information.
2. Tap the Access Point after you’ve selected an item. once you tap the “Setting” button, it opens the Network Window.



3. If you select Access Point from queried lists, basic Security, Encryption will fill automatically with previous set AP information.

You can select/enter additional information and tap 'OK'.



## 12. BLUETOOTH HANDLER

Bluetooth wireless technology is a short-range communications technology to connect portable and/or fixed devices while maintaining high levels of security.

### 12.1. Enabling the Bluetooth Radio

1. Select the device panel indicated by the **UP** arrow in the lower, right portion of the display.

2. Tap **Turn Bluetooth On**.

The Bluetooth icon appears in the task bar.

**NOTE:** In order to avoid wasting energy, the Bluetooth, module is off by default. If you need to have Bluetooth working, the module must be powered on using the Wireless Communications applet.

**NOTE:** Suspending the terminal powers off the Bluetooth radio and drops the Bluetooth connection. When the terminal resumes, it takes approximately 10 seconds for the Bluetooth radio driver to re-initialize the radio.

**NOTE:** Area coverage and Bluetooth radio performance may vary, due to environmental conditions or interference caused by other devices (microwave ovens, radio transmitters, etc.).

### 12.2. Connecting to Other Devices

Before connecting to another device, make sure that the Bluetooth connection on the other device is enabled.

1. Tap on the Bluetooth icon in the task bar. The Bluetooth Handler appears on the screen.
2. Add New Device. The available services of all devices / profiles in range display in the Bluetooth Handler.

### 12.3. Pairing Bluetooth Devices

Connecting Bluetooth devices usually requires that they be paired; the same passkey must be entered for each device. If you want to connect the HANDY TERMINAL to a device without any input method (e.g., printers, headsets), refer to the user documentation that accompanied the device for pairing information.

1. Tap on the desired device / profile in the Bluetooth Handler.
  2. Tap the Next Button on the bottom
- Once asked if you need to authenticate the device,
3. Enter 4 random digits and tap the Next button.
  4. Enter the same digits on the other device when prompted.
  5. After pairing, tap on the selected device / profile and select Active.

### 12.4. Setting Up a Bluetooth Printer

1. Make sure that the Bluetooth printer is on and activated.
2. If not done so already, turn Bluetooth On (by selecting the vertical arrow on the Command Bar).
3. Tap **Scan Device**, which runs a Bluetooth Inquiry, then SDP Query.
4. If you see your Bluetooth printer device displayed. You can press the Refresh button to search again.

## 13. SINGLE SLOT CRADLE/SINGLE ETHERNET CRADLE DEVICE

**NOTE:** The cradle is option accessory and needed to purchase separately with incidental expenses in the aftermarket

### 13.1. Overview

**NOTE:** The information in this chapter applies to both the Single Slot cradle and Single Ethernet cradle devices unless otherwise indicated.

As the hub of your HANDY TERMINAL system, the Single Slot cradle charging and communication cradle supports full-speed USB 2.0 with a workstation. The Single Ethernet cradle is identical to the Single Slot cradle except it supports Ethernet communication as well as full-speed USB 2.0.

### **13.2. Battery Charging**

The base completes a full charge of the battery pack in 5 hours for the standard capacity 4000mAh pack on the handy terminal. .

In addition to charging, the base powers the terminal's intelligent battery charging system, which protects the battery from being damaged by overcharging. The terminal senses when a battery pack is fully charged and automatically turns off the charger. If the battery voltage drops below the charge threshold, the charger turns on again to maintain the battery at full capacity. As a result, Handy Terminals may be stored in the base indefinitely without damage to the terminals, battery packs, or peripherals. For prolonged storage, see Storage Guidelines on paragraph 4.20.

### **13.3. Power Supply**

The power cable that ships with each terminal also powers the base.

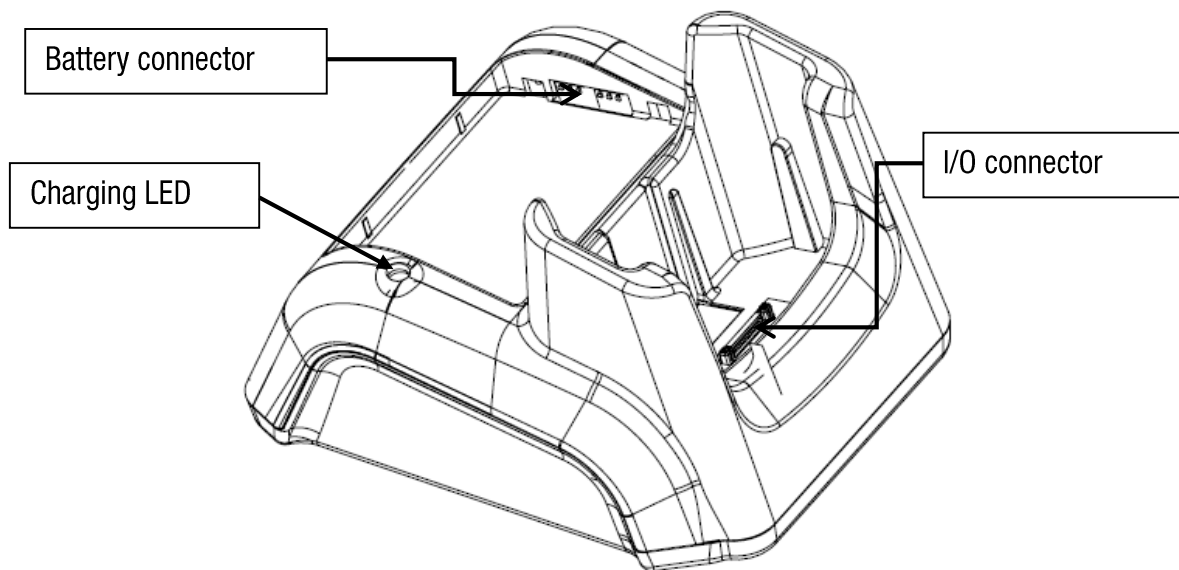


**WARNING:** We recommend use of Handheld peripherals, power cables, and power adapters. Use of any non-Handheld peripherals, cables, or power adapters may cause damage not covered by the warranty.  
We recommend use of Handheld Li-Ion battery packs. Use of any non-Handheld battery may damage not covered by warranty.



**WARNING:** DO NOT attempt to charge damp/wet handy terminals or batteries. All components must be dry before connecting to an external power source.

### **13.4. Front Panel**



#### **Terminal Well**

Place the Handy Terminal in the terminal well to communicate with a host device, power the terminal, and charge the terminal's battery. Make sure that the device is securely seated.

#### **Rubber Feet**

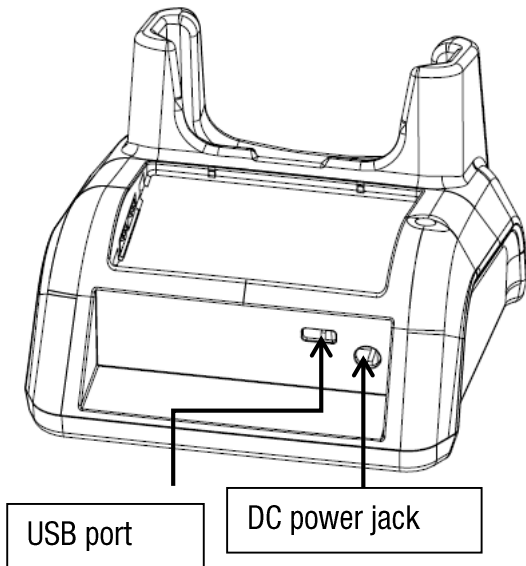
The bottom panel has four rubber feet to stabilize the unit on a flat surface. You can set the base on a dry, stable surface, such as a desktop or workbench near an electrical outlet.

**Charging LED**

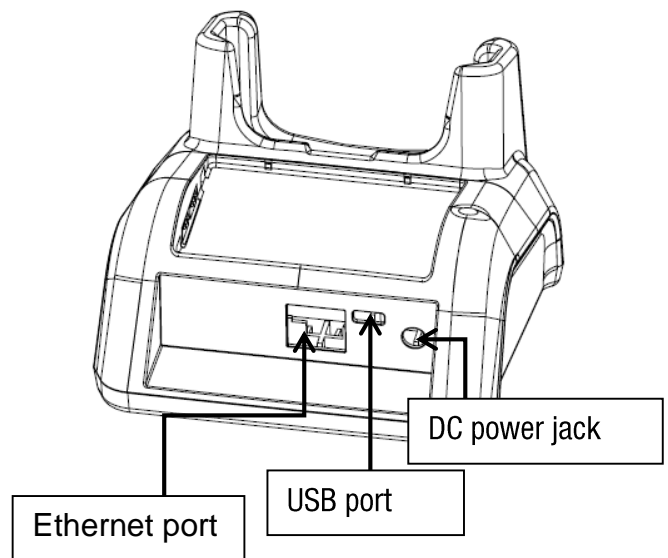
If the LED is red, the unit is charging; if it is green, the charge is complete.

**13.5. Back Panel**

Single Slot Cradle



Single Ethernet Cradle



**DC Power Jack**

Connect the power cable to this power jack; see powering the Single Slot Cradle Device on paragraph 12.6.

**USB Port**

The USB port is full-speed (v2.0). Using the USB cable, you can connect the base to a USB-compliant device to facilitate USB communication to and from the terminal. USB communication occurs through Microsoft ActiveSync (v.4.1 or higher). For more information about ActiveSync setup, see ActiveSync Communication on paragraph 10.4.

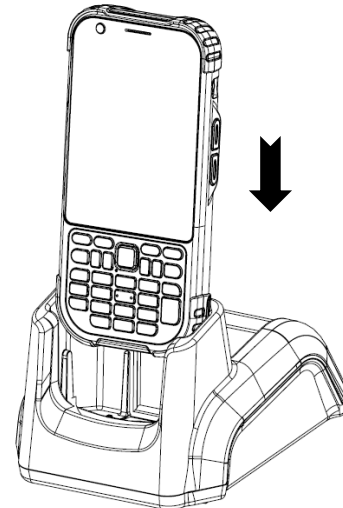
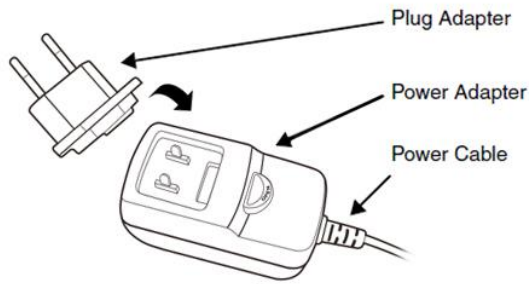
**Ethernet Port (Single Ethernet cradle only)**

Using an Ethernet cable, you can connect the Single Ethernet cradle to an Ethernet-compliant device to facilitate Ethernet communication to and from the terminal. This equipment is for indoor use only. The communication wiring is limited to the inside of a building.

### **13.6. Powering the Single Slot Cradle or Single Ethernet Cradle Device**

The terminal requires DC 5V input for communication and battery charging; the power adapter on the power cable converts the voltage from the power source to DC 5V. Only power adapter cables from Handheld convert the voltage appropriately.

The same power cable that ships with each terminal can be used to power the base. This cable contains a plug adapter for each geography (US, UK, EU, etc.).



1. Attach the appropriate plug adapter to the power adapter.
2. Plug the power cable into the power source.
3. Plug the connector into the DC power jack on the back panel. The base is now powered.

When a terminal is properly seated, the base powers the terminal, charges the terminal's main battery pack, and launches ActiveSync (see ActiveSync Communication on paragraph 10.4).

Handheld recommends that you leave the base connected to its power source at all times, so that it is always ready to use.

### **13.7. Charging the Battery**

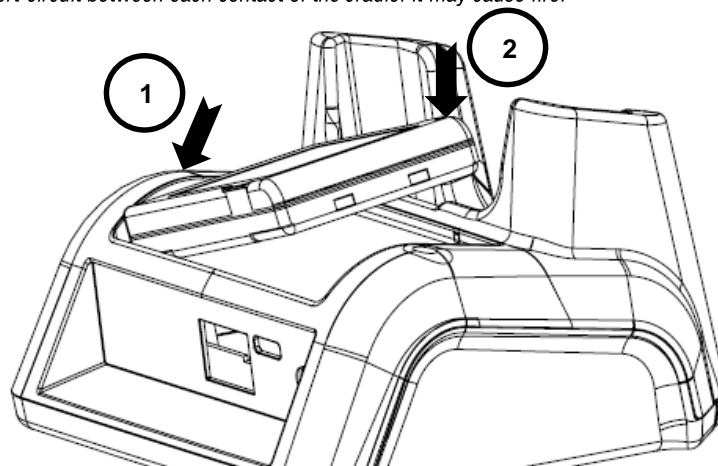
The base powers the terminal and fully charges the battery pack in 5 hours depending on the battery.

As battery packs charge, the charging circuitry follows the two-step charging process (CC-CV) that is recommended for Li-Ion batteries.

The process monitors changes in temperature, current, and voltage.

The battery can be inserted in the battery charging well in back of the terminal connection. Angle the battery as shown. Once the connectors engage, the LED lights. If the LED is red, the unit is charging; if it is green, the charge is complete

 **WARNING:** Do not short-circuit between each contact of the cradle. It may cause fire.



**13.8. Technical Specifications for Cradle**

<b>Model</b>	NX4-1007 (Single Slot Cradle) NX4-1008 (Single Ethernet Cradle)
<b>Structural</b>	
<b>Dimensions</b>	136mm(L) x 116mm(W) x 84mm(H)
<b>Weight</b>	Single Slot cradle - 309g Single Ethernet cradle - 317g
<b>Material</b>	Polycarbonate
<b>Color</b>	Black
<b>Environmental</b>	
<b>Operating Temperature</b>	-20° to 55°C
<b>Storage Temperature</b>	-25° to +70°C
<b>Charging Temperature</b>	0~45°C (±3°C)
<b>Electrical Static Discharge</b>	Air: ± 15kV Direct: ± 8 kV
<b>Humidity</b>	95% humidity (non-condensing)
<b>Power Supply</b>	
<b>Input (Universal)</b> (from the power source)	AC 100–240 Vac. 50/60Hz 0.9A
<b>Output (to the cradle)</b>	DC 5V , 4A
<b>Charging</b>	
<b>Standard Charge</b>	Main battery: Standard Capacity:4000mAh – Approx. 5hours
<b>Status LED</b>	Green: charged Red: charging
<b>Communication</b>	
<b>Interface</b>	MicroUSB connector supports data transmission of up to 480Mbps OR Ethernet 10/100BASE-T(support only NX4-1008)
<b>Agency Approvals</b>	
<b>Power Supply</b>	UL listed TUV licensed Power Supply compliant to FCC part 15, Class B
<b>Charging</b>	CE Marking (EMC) CISPR Pub 22
<b>Fire Retardant</b>	UL 94- HB